

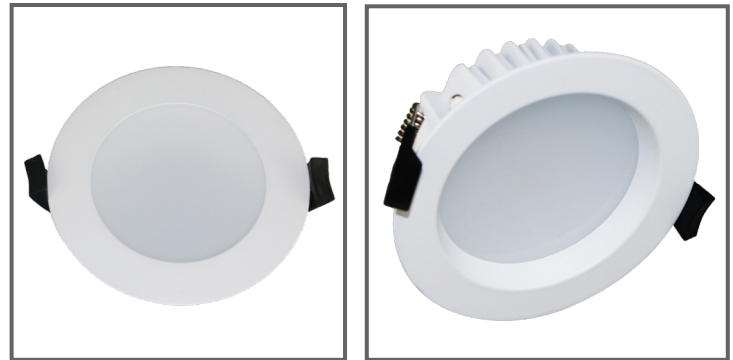
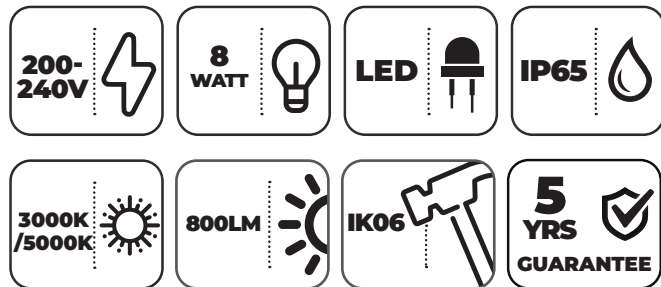
INSTALLATION INSTRUCTIONS

PRODUCT: **FIRE RATED 8W LED DOWNLIGHT, DIMMABLE WITH FLUSH / RECESSED DIFFUSER**
 PRODUCT CODES: **FRDLF8WD-30, FRDLF8WD-50, FRDLR8WD-30 & FRDLR8WD-50**

BOX CONTENTS -

1 x Fire Rated 8W LED Downlight

1 x Driver



Dimensions:	Flush Diffuser: Ø: 85 x L: 31mm Recessed Diffuser: Ø: 85 x L: 39.5mm
Material:	Body: Aluminium Diffuser: Acrylic PMMA
Working Temperature:	-20°C to 45°C
Included:	Quick click locking male/female connectors Spring retention clips

MAXIMUM FITTINGS PER CIRCUIT

Automatic Circuit Breaker Type	B6	B10	B13	B16	B20	C10	C13	C16	C20
Rated Current	6A	10A	13A	16A	20A	10A	13A	16A	20A
Installation	1.5	1.5	1.5	1.5	2.5	1.5	1.5	1.5	1.5
FRDLF8WD-30/50	87	145	188	232	290	145	188	232	290
FRDLR8WD-30/50	87	145	188	232	290	145	188	232	290

SAFETY WARNING



- The installation should be carried out by a qualified electrician in compliance with the current edition of the IEE Wiring Regulations.
- Prior to installation, carry out the necessary risk assessment considering the people who could be at risk, the level of risk and the precautions required to control the risk
- Ensure that the circuit supply is isolated either by the circuit supply fuse being removed or the applicable circuit breaker being turned off before installation or any maintenance.
- Check the total load on the circuit ensuring the luminaire does not exceed the rating of the circuit cable, fuse or circuit breaker.
- Long-term use and voltage fluctuations can reduce the life span of the fitting.
- If the fitting incorporates control gear, ensure careful sizing to avoid instances of nuisance tripping of the protective device used in the installation.
- Follow the provided installation instructions, using the fixings supplied or recommended.
- Keep out of reach of children.

INSTALLATION INSTRUCTIONS

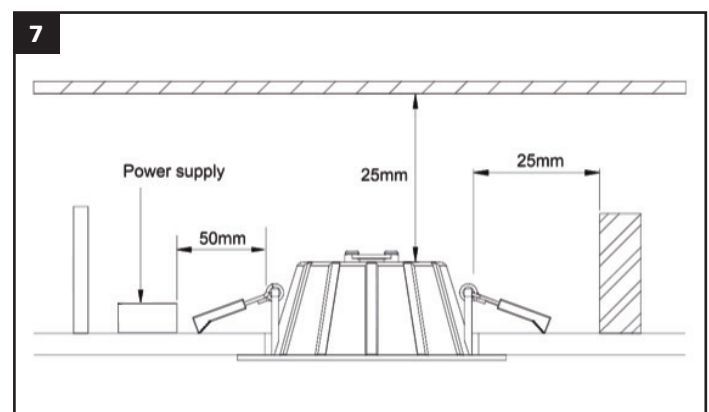
PRODUCT: **FIRE RATED 8W LED DOWNLIGHT, DIMMABLE WITH FLUSH / RECESSED DIFFUSER**
 PRODUCT CODES: **FRDLF8WD-30, FRDLF8WD-50, FRDLR8WD-30 & FRDLR8WD-50**

INSTALLATION INSTRUCTIONS -

1. CHECK THAT THE TOTAL LOAD ON THE CIRCUIT, INCLUDING WHEN THIS DOWNLIGHT IS FITTED, DOES NOT EXCEED THE RATING OF THE CIRCUIT CABLE FUSE OR CIRCUIT BREAKER.
2. CUT A SUITABLE HOLE IN THE CEILING AS PER THE CUT-OUT DETAILS, ENSURING THAT IT DOES NOT INTERFERE WITH ANY ELECTRICAL CABLES, WATER/GAS PIPES OR CEILING JOISTS.
3. CAREFULLY FOLD BACK ANY INSULATION MATERIAL TO ALLOW FREE AIR CIRCULATION.
4. UNDER NO CIRCUMSTANCES MUST THIS FITTING AND DRIVER BE COVERED WITH INSULATING MATERIAL.
5. CONNECT THE MAINS CABLE INTO THE DRIVER, ENSURING CORRECT COLOUR CODING IS OBSERVED AND THAT IF STRANDED CABLE IS USED THEN ALL STRANDS ARE TERMINATED. NOTE: L=BROWN, N=BLUE, E=GREEN/YELLOW
6. CONNECT THE DRIVER TO THE FITTING USING THE MALE/FEMALE CONNECTORS.
7. PLACE THE DRIVER THROUGH THE HOLE INTO THE CEILING CAVITY AND PUSH TO THE SIDE, LEAVING AT LEAST A 50MM GAP BETWEEN THE DRIVER AND THE DOWNLIGHT. [SEE FIGURE 1].
8. FIT THE DOWNLIGHT INTO THE HOLE IN THE CEILING WITH THE TWO SPRING CLIPS SUPPLIED.
9. RECONNECT THE POWER TO THE CIRCUIT AND TEST TO MAKE SURE THE DOWNLIGHT IS WORKING CORRECTLY.

ADDITIONAL INFORMATION

- 2.1MM MALE/FEMALE LOCKING CONNECTORS.
- 70-75MM CUT OUT.
- 100LM/W.
- ACOUSTIC RATING: BS EN ISO 10140-2-2010.
- DIMMABLE.
- FROSTED DIFFUSER
- TESTED TO BS476-21 90 MINUTES FIRE TEST.
- TOOL-FREE CONNECTOR BLOCK.
- WHITE RAL9016 FINISH.



GUARANTEE

This product is guaranteed for a period of 5 years from the date of purchase. The guarantee is invalid in the case of improper use, tampering, removal of the Q.C. date label, installation in an improper working environment or installation not according to the current edition of the I.E.E. Wiring Regulations (BS7671). The guarantee is also invalidated if the luminaire has been insulation tested. Should this product fail during the guarantee period it will be replaced free of charge, subject to correct installation and return of the faulty unit. We do not accept responsibility for any installation costs associated with the replacement of this product. Your statutory rights are not affected. We reserve the right to alter specifications without prior notice.

MAINTENANCE

- This fitting will require routine cleaning if used in adverse (dust, paint, welding, oils etc) environments. Do not use solvents, aggressive detergents or abrasives.
- When this fitting comes to the end of its life or you choose to replace it, please do not dispose of it with your normal general waste. Please recycle where the facilities exist, check with your local authority or retailer for suitable options.

