

# EMERGENCY BULKHEAD

## MAINTAINED / NON-MAINTAINED

Suitable for a wide range of applications, our emergency bulkhead can be configured for maintained or non-maintained operation. The prismatic lens offers good spacing for escape route and open area applications.



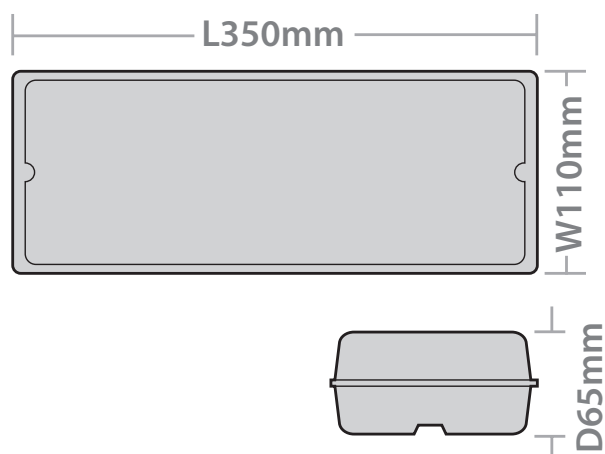
### Features

- Tough IP65 construction for indoor and outdoor applications
- Hinged gear tray for easy installation
- Maintained or non-maintained operation
- Supplied with self-adhesive legend kit

### Specification

Material:	Polycarbonate
Colour Temperature:	6500K
Colour Finish:	White
CRI	Ra>80
LED Lifetime:	L70B50 35,000 Hrs
IP Rating:	IP65
IK Rating:	IK06
Working Temperature:	5°C to 25°C
Power Factor:	0.45
Emergency Battery Type:	Ni-Cd
Electrical Class:	Class I
Guarantee:	3 Years (Batteries: 1 Year)

### Dimensions



Product Code	Description	Wattage	Maintained Lumen Output	Emergency Lumen Output	Net Weight (kg)	Barcode
LFACLED-2	Maintained / Non-Maintained Bulkhead	3.5W	150 lm	110 lm	0.55	5055807620536

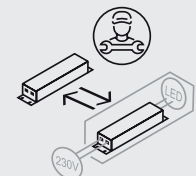
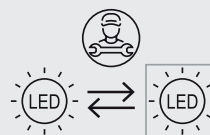
**Spacing Tables**

LFACLED-2 Open Area					
Mount Height (m)	Open Area 0.5 Lux min (m)				
Self Contained					
2.5	3.1	7.4	3.7	9.3	
2.8	3.4	7.9	3.8	9.7	
3.0	3.5	8.2	3.9	9.9	
4.0	4.0	9.7	3.7	10.8	
5.0	4.1	10.9	3.6	10.7	

LFACLED-2 Escape Route		
Mount Height (m)	Escape Route 1 Lux min (m)	
Self Contained		
2.5	2.7	6.3
2.8	2.8	6.8
3.0	2.9	7.1
4.0	2.8	8.1

**Maximum Fittings Per Circuit**

Automatic Circuit Breaker Type:	B6	B10	B13	B16	B20	C10	C13	C16	C20
Rated Current:	6A	10A	13A	16A	20A	10A	13A	16A	20A
Cable (mm):	1.5	1.5	1.5	1.5	2.5	1.5	1.5	1.5	2.5
LFACLED-2	28	50	76	100	116	66	100	132	166



[www.redarrowelectrical.co.uk](http://www.redarrowelectrical.co.uk)