

EMERGENCY TWIN SPOT

110V EMERGENCY SITE LIGHTING

This high output Twin Spot luminaire offers a versatile emergency lighting solution for site applications. The tough, wide distribution light heads are fully adjustable.



Features

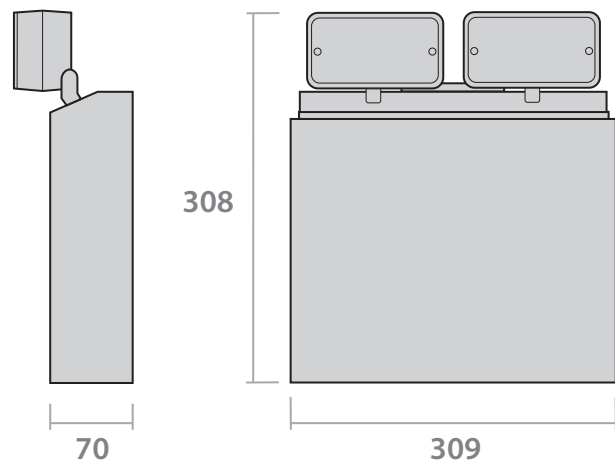
- High output - 2 x 390lm
- Fully adjustable, rotatable and tilting light heads
- Robust construction
- Polycarbonate lighthead



Specification

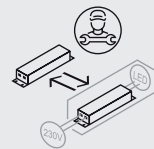
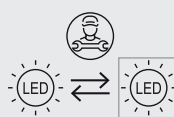
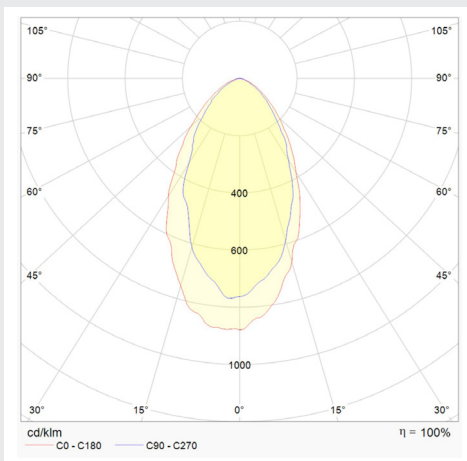
Material:	Body: Steel Heads: Polycarbonate
Colour Temperature:	6000K
Colour Finish:	White
CRI	Ra>75
LED Lifetime:	L70B50 35,000 Hrs
IP Rating:	IP20
IK Rating:	IK10
Working Temperature:	0°C to 40°C
Power Factor	0.83
Electrical Class:	Class I
Emergency Battery Type:	Ni-Cd
Guarantee:	2 Years

Dimensions



Product Code	Description	Wattage	Lumen Output	Beam Angle	Net Weight	Barcodes
LF292LED-110	110V Emergency Twin Spot	2 x 6W	780 lm	100-120°	3.36	5055807620673

Light Distribution Curve



www.redarrowelectrical.co.uk