



INSTALLATION INSTRUCTIONS

FLSMD Area Floodlights / FLSMD Area Floodlights with Photocell

Product Codes: FLSMD50B-1, FLSMD70B-1, FLSMD100B-1, FLSMD150B-1, FLSMD200B-1, FLSMD50BPC-1, FLSMD100BPC-1, FLSMD150BPC-1, FLSMD200BPC-1

Safety Warning



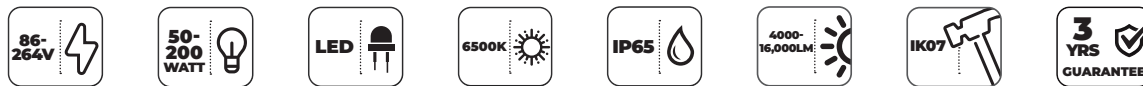
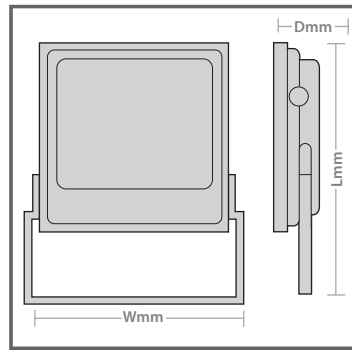
- The installation should be carried out by a qualified electrician in compliance with the current edition of the IEE Wiring Regulations.
- Prior to installation, carry out the necessary risk assessment considering the people who could be at risk, the level of risk and the precautions required to control the risk
- Ensure that the circuit supply is isolated either by the circuit supply fuse being removed or the applicable circuit breaker being turned off before installation or any maintenance.
- Check the total load on the circuit ensuring the luminaire does not exceed the rating of the circuit cable, fuse or circuit breaker.
- Long-term use and voltage fluctuations can reduce the life span of the fitting.
- If the fitting incorporates control gear, ensure careful sizing to avoid instances of nuisance tripping of the protective device used in the installation.
- Follow the provided installation instructions, using the fixings supplied or recommended.
- Keep out of reach of children.



Specification

Box Contents -
1 x FLSMD Area Floodlight

Dimensions:	50W: L: 315 x W: 310 x D: 65mm 70W & 100W: L: 325 x W: 320 x D: 90mm 150W: L: 365 x W: 360 x D: 95mm 200W: L: 425 x W: 403 x D: 115mm
Material:	Aluminium Body & Glass Lens
Working Temperature:	Standard: -20°C - 40°C
Included:	Mounting Bracket & 1m Cable



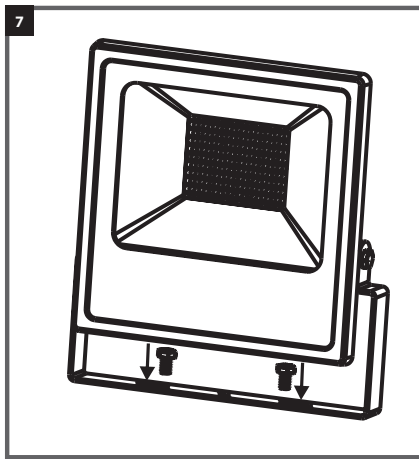
MAXIMUM FITTINGS PER CIRCUIT

Automatic Circuit Breaker Type:	B10	B13	B16	B20	C10	C13	C16	C20
Rated Current:	10A	13A	16A	20A	10A	13A	16A	20A
Cable (mm):	1.5	1.5	1.5	2.5	1.5	1.5	1.5	2.5
FLSMD50B-1/PC-1	21	31	42	48	27	42	55	70
FLSMD70B-1	15	22	30	34	19	30	39	50
FLSMD100B-1/PC-1	10	15	20	24	13	21	27	34
FLSMD150B-1/PC-1	7	10	14	16	9	14	18	23
FLSMD200B-1/PC-1	5	8	10	12	7	10	13	17

Installation Instructions

1. Ensure there is adequate free air circulation of at least 100mm around the luminaire. All luminaires run hot. It is the installer's responsibility to consider any fire risks and take appropriate precautions.
2. The nearest illuminated surface must be at least 0.5m from the front of the fitting.
3. Do not use if the glass is broken. Replace the luminaire.
4. For photocell versions, do not install in areas where the lens could become dirty.
5. For photocell versions, do not allow an artificial light source to activate the photocell, as the light may flash on and off.
6. Drill two holes according to the holes on the bracket, on a wall or similar hard surface.

7. Fix the bracket to the wall or similar hard surface with suitable fixings (not included).



8. Connect the cable correctly to the supply, observing the colour-coding shown below. Ensure all electrical connections are tight with no loose strands:
- L = Brown
 - ⏚ = Green / Yellow
 - N = Blue

Additional Information

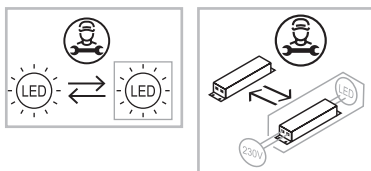
- Please note this is an IP65 rated product, take care not to break any seals as this will affect its water resistant rating.
- Do not modify this product, any modification to this fitting will void the warranty.
- Red Arrow will not take any responsibility for any product damages caused by mounting procedures which are not in accordance with these instructions.
- These fittings comply to CE and UKCA standards.
- Powder coated finish

Guarantee

This product is guaranteed for a period of 3 years from the date of purchase. The guarantee is invalid in the case of improper use, tampering, removal of the Q.C. date label, installation in an improper working environment or installation not according to the current edition of the I.E.E. Wiring Regulations (BS7671). The guarantee is also invalidated if the luminaire has been insulation tested. Should this product fail during the guarantee period it will be replaced free of charge, subject to correct installation and return of the faulty unit. We do not accept responsibility for any installation costs associated with the replacement of this product. Your statutory rights are not affected. We reserve the right to alter specifications without prior notice.

Maintenance

- This fitting will require routine cleaning if used in adverse (dust, paint, welding, oils etc) environments. Do not use solvents, aggressive detergents or abrasives.
- The light source & driver in this luminaire can be quickly and easily replaced at end of life. This should be carried out by a competent person. Contact Red Arrow for details of replacements.



- When this fitting comes to the end of its life or you choose to replace it, please do not dispose of it with your normal waste. Please recycle where the facilities exist, check with your local authority for suitable options.

INS/OUTDOOR/0010_FLMSD_V2