

Meteor Floodlights

Product Codes: **MET10-60, MET20-60, MET30-60, MET50-60, MET100-60, MET150-60, MET200-60**

Safety Warning



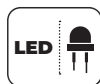
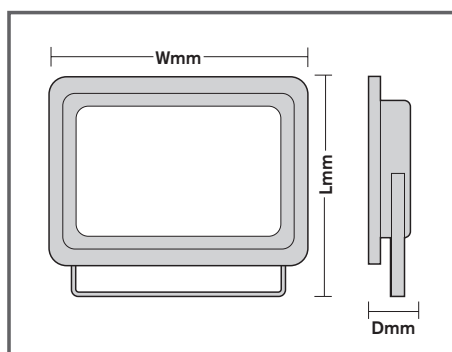
- The installation should be carried out by a qualified electrician in compliance with the current edition of the IEE Wiring Regulations.
- Prior to installation, carry out the necessary risk assessment considering the people who could be at risk, the level of risk and the precautions required to control the risk
- Ensure that the circuit supply is isolated either by the circuit supply fuse being removed or the applicable circuit breaker being turned off before installation or any maintenance.
- Check the total load on the circuit ensuring the luminaire does not exceed the rating of the circuit cable, fuse or circuit breaker.
- Long-term use and voltage fluctuations can reduce the life span of the fitting.
- If the fitting incorporates control gear, ensure careful sizing to avoid instances of nuisance tripping of the protective device used in the installation.
- Follow the provided installation instructions, using the fixings supplied or recommended.
- Keep out of reach of children.



Specification

Box Contents - 1 x Meteor Floodlight

Dimensions:	MET10-60: L: 95 x W: 120 x D: 15mm MET20-60: L: 105 x W: 140 x D: 19mm MET30-60: L: 145 x W: 177 x D: 19mm MET50-60: L: 193 x W: 223 x D: 19mm MET100-60: L: 242 x W: 291 x D: 19mm MET150-60: L: 305 x W: 353 x D: 24mm MET200-60: L: 336 x W: 403 x D: 25mm
Material:	Body - Die-cast Aluminium, Lens - Polycarbonate
Working Temperature:	Standard: -20°C - 45°C
Included:	1m Pre-wired Cable Steel Mounting Bracket



Maximum Fittings Per Circuit

Automatic Circuit Breaker Type:	B6	B10	B13	B16	B20	C10	C13	C16	C20
Rated Current:	6A	10A	13A	16A	20A	10A	13A	16A	20A
Cable (mm):	1.5	1.5	1.5	1.5	2.5	1.5	1.5	1.5	2.5
MET10-60	150	250	325	400	500	250	325	400	500
MET20-60	75	125	163	200	250	125	163	200	250
MET30-60	60	100	130	160	200	100	130	160	200
MET50-60	30	50	65	80	100	50	65	80	100
MET100-60	15	25	32	40	50	25	32	40	50
MET150-60	10	17	22	26	33	17	22	26	33
MET200-60	7	11	14	18	22	11	14	18	22

Installation Instructions

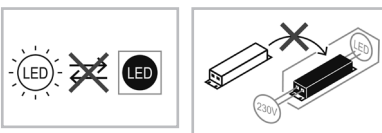
- Ensure there is adequate free air circulation of at least 100mm around the fitting. All fittings run hot. It is the installer's responsibility to consider any fire risk and take appropriate precautions.
- The nearest illuminated surface must be at least 0.5m from the front of the fitting.
- Check for concealed cables before drilling any fixing holes.
- Fix the bracket to a wall or similar hard surface.
- Connect the cable to the power supply.

Guarantee

This product is guaranteed for a period of 2 years from the date of purchase. The guarantee is invalid in the case of improper use, tampering, removal of the Q.C. date label, installation in an improper working environment or installation not according to the current edition of the I.E.E. Wiring Regulations (BS7671). The guarantee is also invalidated if the luminaire has been insulation tested. Should this product fail during the guarantee period it will be replaced free of charge, subject to correct installation and return of the faulty unit. We do not accept responsibility for any installation costs associated with the replacement of this product. Your statutory rights are not affected. We reserve the right to alter specifications without prior notice.

Maintenance

- This fitting will require routine cleaning if used in adverse (dust, paint, welding, oils etc) environments. Do not use solvents, aggressive detergents or abrasives.
- The light source & driver in this luminaire are not replaceable. When the fitting comes to the end of its life or you choose to replace it, please do not dispose of it with your normal waste. Please recycle where the facilities exist, check with your local authority for suitable options.



INS/OUTDOOR/0006/MET/V3