

POLO X Bulkhead Body Only

Product Codes: **POLX/B**

Safety Warning



- The installation should be carried out by a qualified electrician in compliance with the current edition of the IEE Wiring Regulations.
- Prior to installation, carry out the necessary risk assessment considering the people who could be at risk, the level of risk and the precautions required to control the risk
- Ensure that the circuit supply is isolated either by the circuit supply fuse being removed or the applicable circuit breaker being turned off before installation or any maintenance.
- Check the total load on the circuit ensuring the luminaire does not exceed the rating of the circuit cable, fuse or circuit breaker.
- Long-term use and voltage fluctuations can reduce the life span of the fitting.
- If the fitting incorporates control gear, ensure careful sizing to avoid instances of nuisance tripping of the protective device used in the installation.
- Follow the provided installation instructions, using the fixings supplied or recommended.
- Keep out of reach of children.

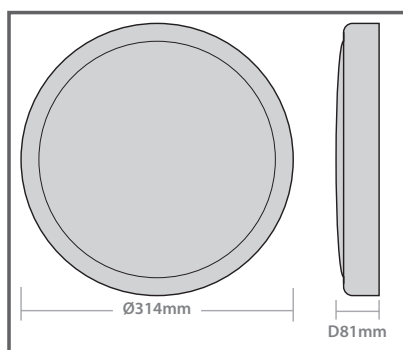


Specification

Box Contents -

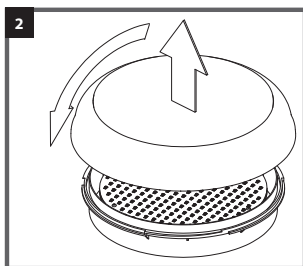
1 x POLO X Slim Bulkhead Body Only

Dimensions:	Ø: 314 x D: 81mm
Material:	Polycarbonate body & diffuser
Included:	Body Only

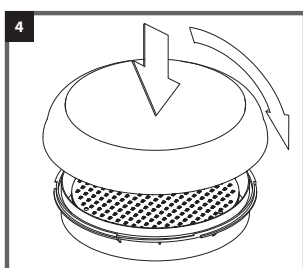


Installation Instructions

1. Isolate the mains supply before commencing with the installation.
2. Remove the diffuser and trim from the base by rotating 45° anti-clockwise to unlatch, then pull away.



3. If fitting a LED Gear Tray please follow the instructions supplied with it, ensuring mains supply is disconnected before commencing any work.
4. Refit the diffuser and trim by placing over the base and rotate clockwise until it locks into position.



Guarantee

This product is guaranteed for a period of 3 years from the date of purchase. The guarantee is invalid in the case of improper use, tampering, removal of the Q.C. date label, installation in an improper working environment or installation not according to the current edition of the I.E.E. Wiring Regulations (BS7671). The guarantee is also invalidated if the luminaire has been insulation tested. Should this product fail during the guarantee period it will be replaced free of charge, subject to correct installation and return of the faulty unit. We do not accept responsibility for any installation costs associated with the replacement of this product. Your statutory rights are not affected. We reserve the right to alter specifications without prior notice.

Maintenance

- This fitting will require routine cleaning if used in adverse (dust, paint, welding, oils etc) environments. Do not use solvents, aggressive detergents or abrasives.
When this fitting comes to the end of its life or you choose to replace it, please do not dispose of it with your normal waste. Please recycle where the facilities exist, check with your local authority for suitable options.

INS/COMMERCIAL/0007/POLX_B/V4



Red Arrow Electrical Distribution
Cortonwood Drive, Brampton,
Barnsley, S73 0UF

T: 0800 195 0006
sales@redarrowelectrical.co.uk

redarrowelectrical.co.uk