

Weatherguard Wired for LED Tubes

Product Codes: **WG21, WG22, WG41, WG42, WG51 & WG52**

Safety Warning



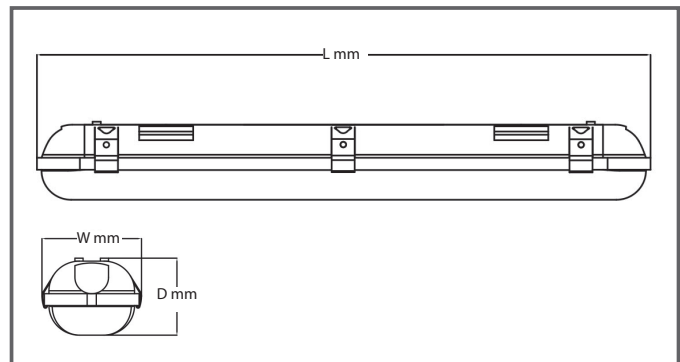
- The installation should be carried out by a qualified electrician in compliance with the current edition of the IEE Wiring Regulations.
- Prior to installation, carry out the necessary risk assessment considering the people who could be at risk, the level of risk and the precautions required to control the risk
- Ensure that the circuit supply is isolated either by the circuit supply fuse being removed or the applicable circuit breaker being turned off before installation or any maintenance.
- Check the total load on the circuit ensuring the luminaire does not exceed the rating of the circuit cable, fuse or circuit breaker.
- Long-term use and voltage fluctuations can reduce the life span of the fitting.
- If the fitting incorporates control gear, ensure careful sizing to avoid instances of nuisance tripping of the protective device used in the installation.
- Follow the provided installation instructions, using the fixings supplied or recommended.
- Keep out of reach of children.



Specification

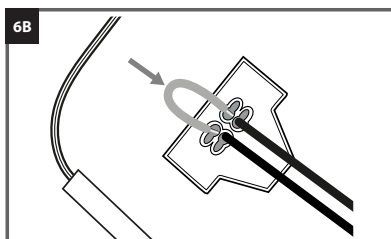
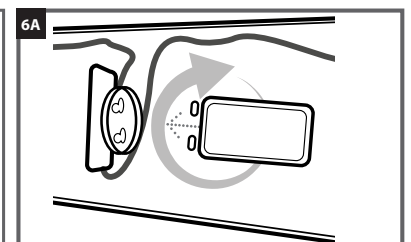
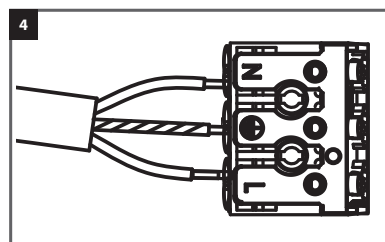
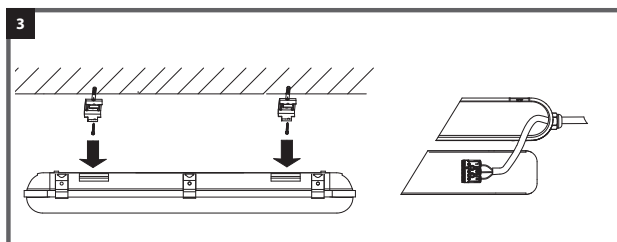
Box Contents -
1 x Body, 1 x Diffuser, 1 x Gear Tray, Stainless Steel Diffuser Clips & Accessory Pack

Dimensions:	WG21: L: 664 x W: 72 x D: 78mm WG22: L: 664 x W: 103 x D: 78mm WG41: L: 1262 x W: 72 x D: 78mm WG42: L: 1262 x W: 103 x D: 78mm WG51: L: 1562 x W: 72 x D: 78mm WG52: L: 1562 x W: 103 x D: 78mm
Material:	Body & Diffuser - Polycarbonate, Gear Tray - Steel
Working Temperature:	-25°C - 40°C



Installation Instructions

1. Mark the locations of where the fitting is to be placed, then drill 6mm holes for the brackets.
2. Insert the expansion plug into the holes drilled and fix the brackets using the screws.
3. Clip the body of the fitting to the brackets in the correct positions and insert the supply cable through the compression gland.
4. Raise the gear tray to the body and attach the supply cable into the terminal block on the back, tighten the compression gland and then clip the tray into the body.
5. Insert the LED Tube(s) into the lamp holders on either side of the fitting and twist to lock into place.
- 6A. If you use Red Arrow LED tube(s), or any other LED tube that is wired live and neutral to one end, insert the fuse cannister(s) supplied into the holder(s) on the tray.
- 6B. If you use LED tubes that are wired live and neutral to one end but the pins are not electrically connected at the opposite end, insert the wire link(s) supplied into the opposite end lampholder(s) as shown to complete the circuit.
- 6C. If you use LED tubes that are wired live and neutral to opposite ends, do not use the fuse cannister(s) or wire links(s).



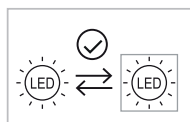
Guarantee

This product is guaranteed for a period of 2 years from the date of purchase. The guarantee is invalid in the case of improper use, tampering, removal of the Q.C. date label, installation in an improper working environment or installation not according to the current edition of the I.E.E. Wiring Regulations (BS7671). The guarantee is also invalidated if the luminaire has been insulation tested. Should this product fail during the guarantee period it will be replaced free of charge, subject to correct installation and return of the faulty unit. We do not accept responsibility for any installation costs associated with the replacement of this product. Your statutory rights are not affected. We reserve the right to alter specifications without prior notice.

Maintenance

- This fitting will require routine cleaning if used in adverse (dust, paint, welding, oils etc) environments. Do not use solvents, aggressive detergents or abrasives.
- The light source in this luminaire can be quickly and easily replaced at end of life. Switch off the power at the mains before replacement. We recommend using Red Arrow T8 LED Lamps.

Product Code:	Replacement Lamp:
WG21/22	T8LED210*
WG41/42	T8LED418*
WG51/52	T8LED522*



* Add -40 for 4000K or -60 for 6500K

- When this fitting comes to the end of its life or you choose to replace it, please do not dispose of it with your normal household waste. Please recycle where the facilities exist, check with your local authority for suitable options.

INS/INDUSTRIAL/0003/WG/V7