

## Guard Architectural Bollards

Product Codes: **GRD24A-DC-CCT, GRD24A-DL-CCT, GRD24A-FC-CCT, GRD24A-FL-CCT, GRD24A-POST, GRD24-SGKIT**

### Safety Warning



- The installation should be carried out by a qualified electrician in compliance with the current edition of the IEE Wiring Regulations.
- Prior to installation, carry out the necessary risk assessment considering the people who could be at risk, the level of risk and the precautions required to control the risk
- Ensure that the circuit supply is isolated either by the circuit supply fuse being removed or the applicable circuit breaker being turned off before installation or any maintenance.
- Check the total load on the circuit ensuring the luminaire does not exceed the rating of the circuit cable, fuse or circuit breaker.
- Long-term use and voltage fluctuations can reduce the life span of the fitting.
- If the fitting incorporates control gear, ensure careful sizing to avoid instances of nuisance tripping of the protective device used in the installation.
- Follow the provided installation instructions, using the fixings supplied or recommended.
- Keep out of reach of children.

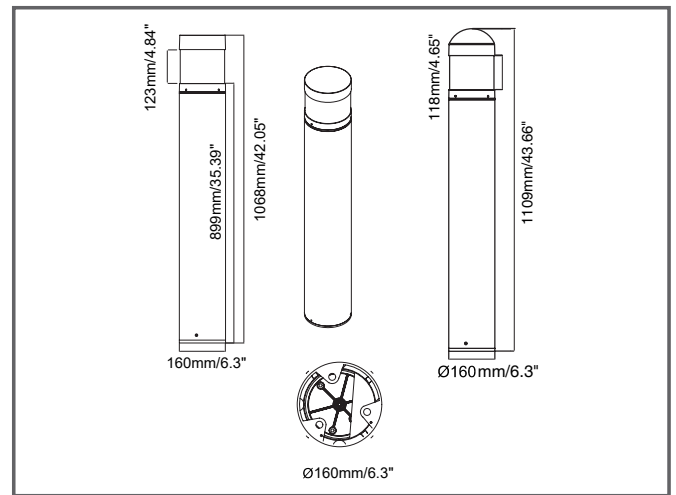


### Specification

#### Box Contents -

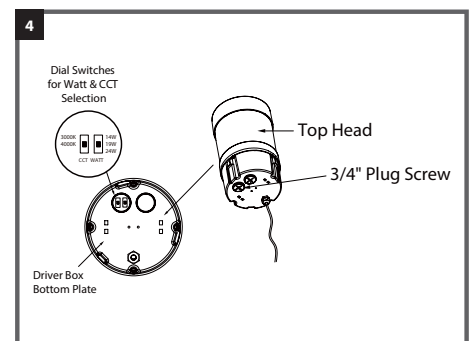
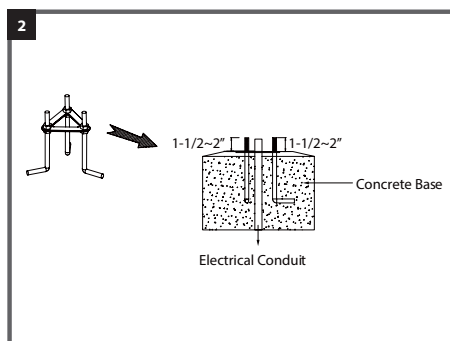
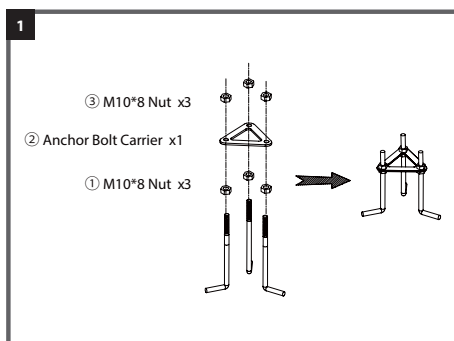
1 x Guard Architectural Bollards, 1 x Anchor Bolt Carrier, 12 x M10\*8 Nuts, 3 x M10 Spring Washer, 6x M10 Flat Washer, 3 x Anchor Bolt, 1 x Hex Wrench

<b>Dimensions:</b>	GRD24A-DC-CCT & GRD24A-DL-CCT - Ø: 160 x H: 118mm GRD24A-FC-CCT & GRD24A-FL-CCT - Ø: 160 x H: 123mm GRD24A-POST - Ø: 160 x H: 899mm GRD24-SGKIT - Ø: 102 x H: 353mm
<b>Material:</b>	Body: Die-Cast Aluminium Diffuser: Polycarbonate
<b>Working Temperature:</b>	-20°C - 50°C
<b>Included:</b>	Anchor Bolt, M10*8 Nuts, M10 Spring Washer, M10 Flat washers, Anchor Bolt & Hex Wrench

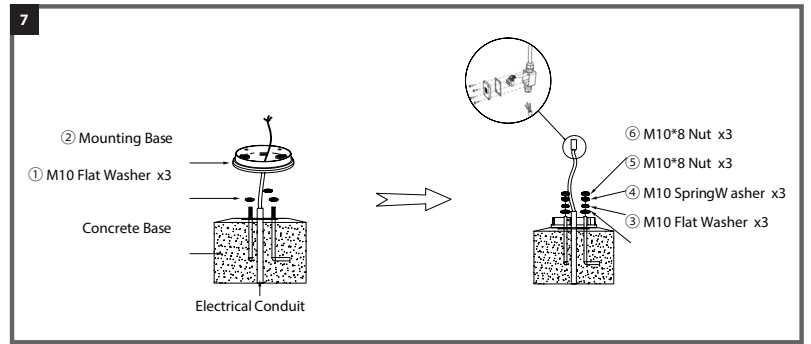
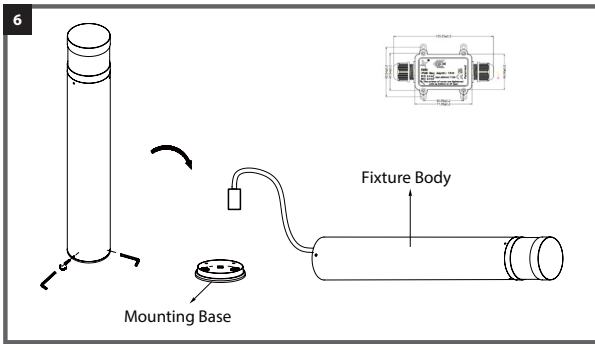


### Installation Instructions

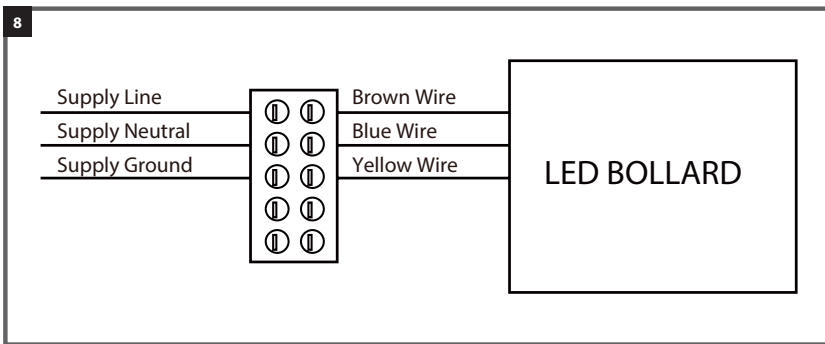
- Isolate the mains supply before commencing with the installation.
- Assemble the anchor bolt carrier and use it to determine placement of anchor bolts in concrete.
- Install anchor bolt assembly into the concrete with at least 1-1/2~2" is protruding from the finish level of concrete with threads free and clear of debris and dirt (electrical conduit is to be located as central as possible within the centre of the anchor bolt assembly).
- Remove the 3/4" plug screw, and select desired wattage and CCT using the dip switches on the driver box bottom plate. Once complete refit the plug screw to ensure IP seal is restored.
- Allow the concrete to fully cure following manufactures guidelines before continuing with the installation.



6. Once concrete is cured and can be worked secure the head onto the post noting orientation arrow on head and tighten the 3 screws securing the head into position.
7. Using the hex wrench, loosen the 3 screws on the side of the bottom and separate the fixture body from the mounting base.
8. Place bollard mounting base over anchor bolts using M10 flat washer, M10 spring washer and M10 nuts. Ensure base is level and pack as necessary for a level base before fully securing the mounting base to the foundation.



9. Route the mains supply cable into the terminal block provided and terminate, ensuring polarity is observed.
10. Carefully lifting the bollard into position secure onto the mounting base and tighten the 3 screws. Check the bollard is level before restoring the mains power supply, switch on and test for satisfactory operation.

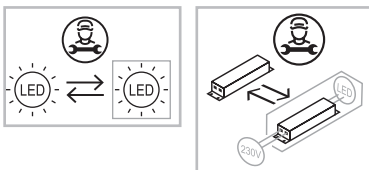


## Guarantee

This product is guaranteed for a period of 5 years from the date of purchase. The guarantee is invalid in the case of improper use, tampering, removal of the Q.C. date label, installation in an improper working environment or installation not according to the current edition of the I.E.E. Wiring Regulations (BS7671). The guarantee is also invalidated if the luminaire has been insulation tested. Should this product fail during the guarantee period it will be replaced free of charge, subject to correct installation and return of the faulty unit. We do not accept responsibility for any installation costs associated with the replacement of this product. Your statutory rights are not affected. We reserve the right to alter specifications without prior notice.

## Maintenance

- This fitting will require routine cleaning if used in adverse (dust, paint, welding, oils etc) environments. Do not use solvents, aggressive detergents or abrasives.
- The LEDs and driver in this product can be replaced at the end of life. This must be carried out by a professional, competent person. Contact Red Arrow for full details.



- When this fitting comes to the end of its life or you choose to replace it, please do not dispose of it with your normal waste. Please recycle where the facilities exist, check with your local authority for suitable options.

INS/OUTDOOR/0015/GRD/V1