



# DISCUS

## ULTRA-SLIM WATTAGE SELECTABLE LUMINAIRE

Discus is a smart, stylish range of fittings, available in dimming, wattage selectable & wattage selectable with PIR sensor. All have an adjustable bracket to enable installation into existing cut-outs of 65-205mm, or surface mount.



### Features

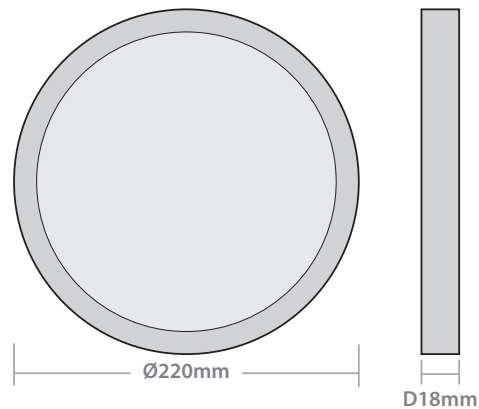
- Ultra thin profile design - only 18mm deep
- Adjustable surface & semi-recessed mounting bracket - wall or ceiling mount
- Wattage selectable for variable lumen output
- Pre-wired 30cm cable included
- Integral PIR sensor version available
- Dimmable option



### Specification

<b>Material:</b>	Body: Aluminium Diffuser: PS
<b>Colour Temperature:</b>	4000K
<b>Colour Finish</b>	White
<b>CRI</b>	Ra>80
<b>LED Lifetime:</b>	L80B50 25,000 Hrs
<b>IP Rating:</b>	IP20
<b>IK Rating:</b>	IK04
<b>Working Temperature:</b>	-25°C to 40°C
<b>Power Factor:</b>	>0.5 (Dimmable >0.9)
<b>Electrical Class</b>	Class II
<b>Guarantee:</b>	3 Years

### Dimensions



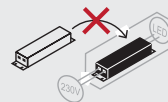
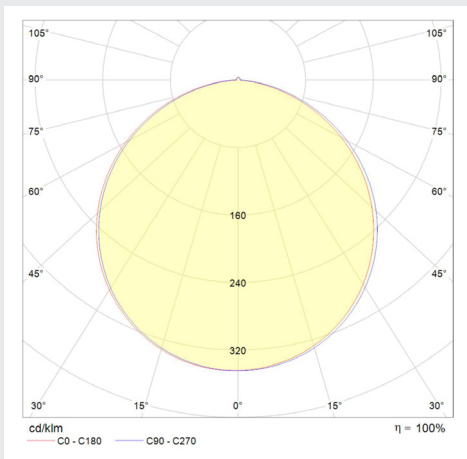
Product Code	Description	Wattage	Lumen Output	Efficacy	Power Factor	Net Weight (kg)	Barcodes
DSC1018-40	Discus Wattage Selectable	10W 15W 18W	10W - 950 lm 15W - 1350 lm 18W - 1500 lm	83-95 lm/W	0.5	0.36	5055807620918
DSC1018PIR-40	Discus Wattage Selectable with PIR Sensor	10W 15W 18W	10W - 950 lm 15W - 1350 lm 18W - 1500 lm	83-95 lm/W	0.5	0.36	5055807620925
DSC18D-40	Discus Dimmable	18W	1450 lm	81 lm/W	0.9	0.37	5055807620932
DSCBZ-S	Discus Bezel Only - Silver	-	-	-	-	0.05	5055807620949
DSCPBZ-S	Discus Bezel Only for PIR Sensor Version - Silver	-	-	-	-	0.05	5055807620956



**Maximum Fittings Per Circuit**

Automatic Circuit Breaker Type:	B6	B10	B13	B16	B20	C10	C13	C16	C20
Rated Current:	6A	10A	13A	16A	20A	10A	13A	16A	20A
Cable (mm):	1.5	1.5	1.5	1.5	2.5	1.5	1.5	1.5	2.5
DSC18D-40	60	100	100	100	160	100	100	100	160
DSC1018-40 & DSC1018 PIR-40 (10W)	60	105	105	105	175	105	105	105	175
DSC1018-40 & DSC1018 PIR-40 (15W)	41	70	70	70	118	70	70	70	118
DSC1018-40 & DSC1018 PIR-40 (18W)	35	60	60	60	100	60	60	60	100

Light Distribution Curve - DSC1018-40 Shown



[www.redarrowelectrical.co.uk](http://www.redarrowelectrical.co.uk)

**ENERGY**  
Red Arrow  
DSC

**10-18**  
kWh/1000h