



LASER

LINEAR SUSPENDED LUMINAIRE

This product is available to order in different colours and sizes.

Laser is a range of sleek monolithic luminaires suitable for suspension or surface mounting for practically any interior application. Manufactured in extruded aluminium, this stylish range delivers a contemporary look for both open area and task lighting. 0-10 dimmable as standard, available with black or white profile finishes, Laser can be specified with opal or microprism diffusers and feature selectable wattage and colour temperature.

Features

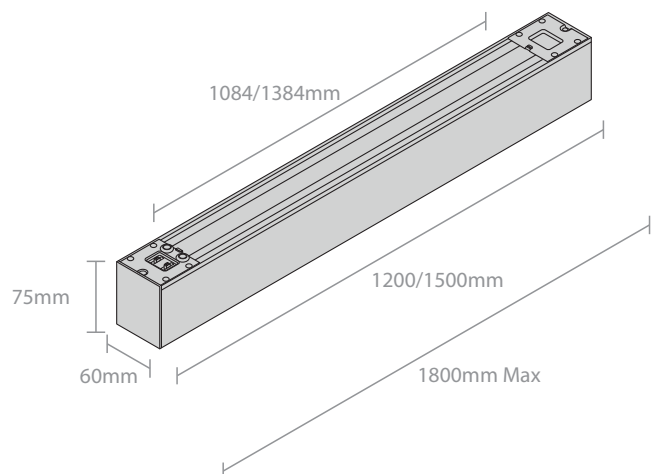
- Sleek, monolithic extruded aluminium construction
- Selectable wattage and colour temperature
- Excellent efficacy – 120lm/W
- Choice of opal diffuser and microprism controller
- Retrofit plug in upright module (70% Direct / 30% Indirect)
- Available in black or white finish
- Supplied with mounting kit for surface or suspension fixing



Specification

| | |
|-----------------------------|--|
| Material: | Body: Extruded Aluminium Diffuser: PMMA |
| Colour Temperature: | 3000K/4000K Selectable |
| Colour Finish: | Black (RAL9011) / White (RAL9016) |
| CRI: | Ra>80 |
| LED Lifetime: | L70B50 85,000 Hrs L80B50 54,000 Hrs |
| IP Rating: | IP40 |
| Working Temperature: | -20°C to 40°C |
| Power Factor: | >0.9 |
| Electrical Class: | Class I |
| Guarantee: | 5 Years |

Dimensions



| Product code | Description | Diffuser | Wattage | Lumen Output | Efficacy | Colour Temperature | Housing Finish | Barcode |
|---------------|--|-----------------|-----------|--------------|----------|--------------------|----------------|---------------|
| LAS4P/B/CCT | Laser Linear Suspended Luminaire 1200mm Black | Opal | 24/32/40W | 2880-4800 lm | 120 lm/W | 3000/4000K | Black | 5055807625821 |
| LAS4P/W/CCT | Laser Linear Suspended Luminaire 1200mm White | Opal | 24/32/40W | 2880-4800 lm | 120 lm/W | 3000/4000K | White | 5055807625838 |
| LAS5P/B/CCT | Laser Linear Suspended Luminaire 1500mm Black | Opal | 30/40/50W | 3600-6000 lm | 120 lm/W | 3000/4000K | Black | 5055807625845 |
| LAS5P/W/CCT | Laser Linear Suspended Luminaire 1500mm White | Opal | 30/40/50W | 3600-6000 lm | 120 lm/W | 3000/4000K | White | 5055807625852 |
| LAS4/B/UP/CCT | Laser Uplight Module 1200mm Black | Opal (Indirect) | * | * | 120 lm/W | 3000/4000K | Black | 5055807625906 |
| LAS4/W/UP/CCT | Laser Uplight Module 1200mm White | Opal (Indirect) | * | * | 120 lm/W | 3000/4000K | White | 5055807625913 |
| LAS5/B/UP/CCT | Laser Uplight Module 1500mm Black | Opal (Indirect) | * | * | 120 lm/W | 3000/4000K | Black | 5055807625845 |
| LAS5/W/UP/CCT | Laser Uplight Module 1500mm White | Opal (Indirect) | * | * | 120 lm/W | 3000/4000K | White | 5055807625852 |
| LAS4/MP | Retrofit 1200mm Laser Linear Microprism Diffuser | Microprism | | | | | | 5055807625944 |
| LAS5/MP | Retrofit 1500mm Laser Linear Microprism Diffuser | Microprism | | | | | | 5055807625951 |

Notes:

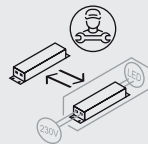
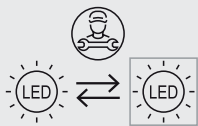
- Every luminaire is pre wired with 2m clear cable and 2 x mounting brackets for wire suspension (1.8Max) or surface fixing.
- * Uplight Module supplied with plug and socket for simple plug in connection. Modules shares output from existing driver, reducing downward light component by approx 30% and same output overall.



Retrofit plug in uplight module



CCT & Power Selector



www.redarrowelectrical.co.uk

Red Arrow
LASXX/X/CCT

| | |
|---|-----------------------------------|
| A | Green arrow pointing right |
| B | Green arrow pointing right |
| C | Yellow-green arrow pointing right |
| D | Yellow arrow pointing right |
| E | Yellow arrow pointing right |
| F | Orange arrow pointing right |
| G | Red arrow pointing right |

E

40
kWh/1000h

2021 No. 1095