



# DISCUS MAX

## CCT & WATTAGE SELECTABLE LUMINAIRE

Another slim, smart downlight to add to the Discus family. Discus Max is also wattage selectable but has the added bonus of also being colour temperature selectable too. Discus Max can easily replace existing downlights with the innovative adjustable bracket included, to fit cut outs of 65-310mm.



### Features

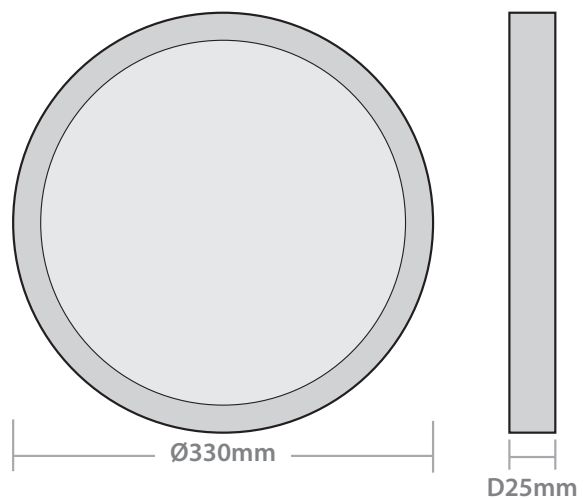
- Wattage selectable for variable lumen output
- CCT colour temperature selectable
- Integral PIR sensor version
- Surface mount and innovative adjustable bracket, to fit cut outs 65mm-310mm



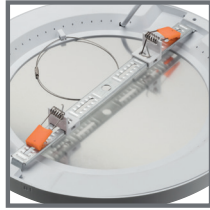
### Specification

|                             |                                     |
|-----------------------------|-------------------------------------|
| <b>Material:</b>            | Body: Polycarbonate<br>Diffuser: PS |
| <b>Colour Temperature:</b>  | Selectable<br>3000K / 4000K / 5700K |
| <b>Colour Finish</b>        | White                               |
| <b>CRI</b>                  | Ra>80                               |
| <b>LED Lifetime:</b>        | L80B50 30,000 Hrs                   |
| <b>IP Rating:</b>           | IP20                                |
| <b>IK Rating:</b>           | IK04                                |
| <b>Working Temperature:</b> | -20°C to 40°C                       |
| <b>Power Factor:</b>        | >0.9                                |
| <b>Electrical Class</b>     | Class II                            |
| <b>Guarantee:</b>           | 3 Years                             |

### Dimensions



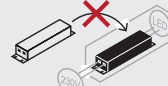
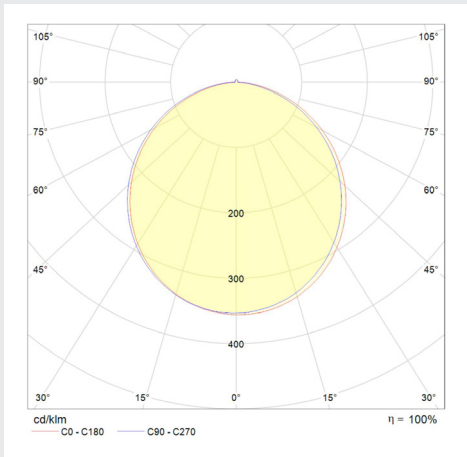
| Product Code   | Description                                    | Wattage           | Lumen Output  | Efficacy   | Net Weight (kg) | Barcodes      |
|----------------|--|-------------------|---|------------|-----------------|---------------|
| DSM1528-CCT    | Discus Max Wattage + CCT Selectable            | 15W<br>22W<br>28W | 15W: 1200-1400 lm<br>22W: 1800-2000 lm<br>28W: 2300-2500 lm | 80-93 lm/W | 1.05            | 5055807622868 |
| DSM1528PIR-CCT | Discus Max Wattage + CCT Selectable with PIR   | 15W<br>22W<br>28W | 15W: 1200-1400 lm<br>22W: 1800-2000 lm<br>28W: 2300-2500 lm | 80-93 lm/W | 1.05            | 5055807622875 |
| DSMBZ-S        | Discus Max Bezel only - Silver                 | -                 | -   | -          | 0.29            | 5055807622882 |
| DSMPBZ-S       | Discus Max Bezel only for PIR Version - Silver | -                 | -   | -          | 0.29            | 5055807622899 |



**Maximum Fittings Per Circuit**

| Automatic Circuit Breaker Type:    | B6  | B10 | B13 | B16 | B20 | C10 | C13 | C16 | C20 |
|------------------------------------|-----|-----|-----|-----|-----|-----|-----|-----|-----|
| Rated Current:                     | 6A  | 10A | 13A | 16A | 20A | 10A | 13A | 16A | 20A |
| Cable (mm):                        | 1.5 | 1.5 | 1.5 | 1.5 | 2.5 | 1.5 | 1.5 | 1.5 | 2.5 |
| DSM1528-CCT & DSM1528PIR-CCT (15W) | 69  | 103 | 103 | 103 | 172 | 103 | 103 | 103 | 172 |
| DSM1528-CCT & DSM1528PIR-CCT (22W) | 47  | 70  | 70  | 70  | 117 | 70  | 70  | 70  | 117 |
| DSM1528-CCT & DSM1528PIR-CCT (28W) | 37  | 55  | 55  | 55  | 92  | 55  | 55  | 55  | 92  |

**Light Distribution Curve**



[www.redarrowelectrical.co.uk](http://www.redarrowelectrical.co.uk)

**ENERGY**  
**Red Arrow**  
 DSM

**F**

**15-28**  
 kWh/1000h