



# DISCUS PRO

## SMART SURFACE & SUSPENDED LUMINAIRE



Discus Pro offers versatile lighting of any space with smart control via dual WiFi / Bluetooth module and TUYA app, delivering smooth dimming and colour tuning.

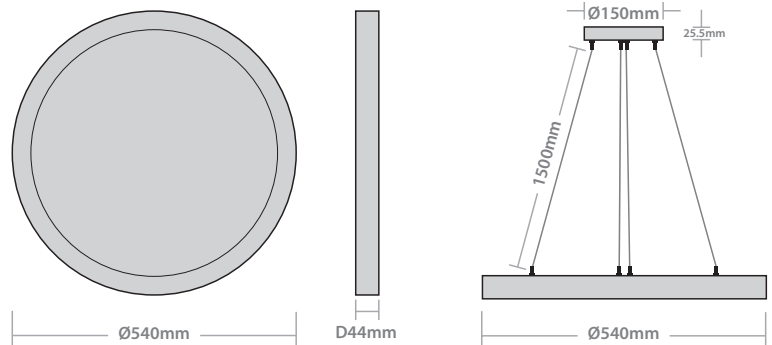
### Features

- Smart TUYA app control
- Colour tuning 3000K to 5700K
- Smooth variable dimming
- Indirect lighting in a choice of colours (clear diffusers fitted as standard)
- Surface mount or suspended options

### Specification

<b>Material:</b>	Body: Polycarbonate & Aluminium Body Diffuser: PMMA
<b>Colour Temperature:</b>	3000K to 5700K tuneable
<b>Colour Finish</b>	White
<b>CRI</b>	Ra>80
<b>LED Lifetime:</b>	L80B50 50,000 Hrs
<b>IP Rating:</b>	IP20
<b>IK Rating:</b>	IK04
<b>Working Temperature:</b>	-20°C to 40°C
<b>Power Factor:</b>	>0.9
<b>Electronic Class</b>	Class II
<b>Guarantee:</b>	5 Years

### Dimensions



Product Code	Description	Wattage	Lumen Output	Efficacy	Net Weight (kg)	Barcodes
DSP50-SWB	Discus Pro Smart	50W	4100-4700 lm	82-94 lm/W	3.4	5055807622905
DSP50DIFF-A	Indirect Diffuser Set - Amber	-	-	-	0.05	5055807622936
DSP50DIFF-B	Indirect Diffuser Set - Blue	-	-	-	0.05	5055807622929
DSP50DIFF-R	Indirect Diffuser Set - Red	-	-	-	0.05	5055807622943
DSP-SK	Discus Pro Suspension Kit	-	-	-	0.3	5055807622912

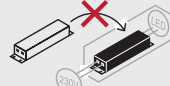
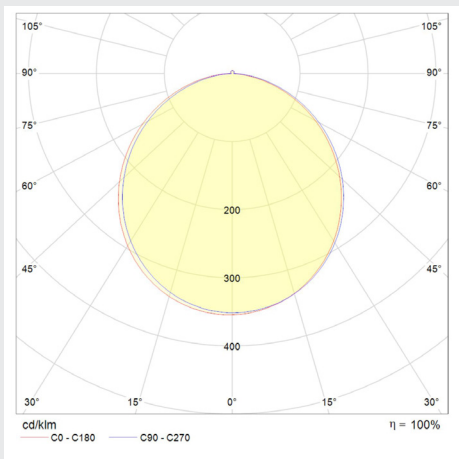


Indirect Diffuser

**Maximum Fittings Per Circuit**

Automatic Circuit Breaker Type:	B6	B10	B13	B16	B20	C10	C13	C16	C20
Rated Current:	6A	10A	13A	16A	20A	10A	13A	16A	20A
Cable (mm):	1.5	1.5	1.5	1.5	2.5	1.5	1.5	1.5	2.5
DSP50-SWB	20	31	31	31	51	31	31	31	51

**Light Distribution Curve**



[www.redarrowelectrical.co.uk](http://www.redarrowelectrical.co.uk)

**ENERGY**  
**Red Arrow**  
 DSP50-SWB

**F**

**50**  
kWh/1000h

2021 No. 1005