

INSTALLATION INSTRUCTIONS

Comet Slim Floodlights / Comet Slim Floodlights with Photocell

Product Codes: **CMT10-40, CMT20-40, CMT30-40, CMT50-40, CMT100-40, CMT150-40, CMT200-40, CMT300-40, CMT100PC-40, CMT150PC-40, CMT200PC-40, CMT300PC-40**

Safety Warning



- The installation should be carried out by a qualified electrician in compliance with the current edition of the IEE Wiring Regulations.
- Prior to installation, carry out the necessary risk assessment considering the people who could be at risk, the level of risk and the precautions required to control the risk
- Ensure that the circuit supply is isolated either by the circuit supply fuse being removed or the applicable circuit breaker being turned off before installation or any maintenance.
- Check the total load on the circuit ensuring the luminaire does not exceed the rating of the circuit cable, fuse or circuit breaker.
- Long-term use and voltage fluctuations can reduce the life span of the fitting.
- If the fitting incorporates control gear, ensure careful sizing to avoid instances of nuisance tripping of the protective device used in the installation.
- Follow the provided installation instructions, using the fixings supplied or recommended.
- Keep out of reach of children.

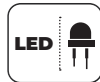
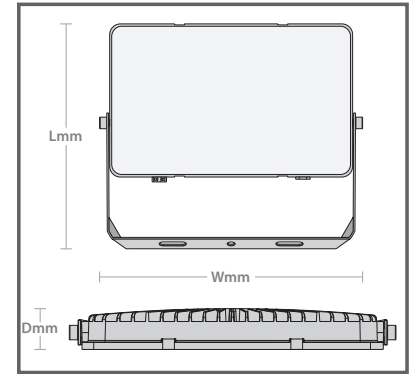


Specification

Box Contents -

1 x Comet Floodlight and mounting bracket

| | |
|-----------------------------|-------------------------------------------------------------------------------------------------------------------------------------------------------------------------------------------------------------------------------------------------------------------------------------------------------------------------------------------------------------------------------------------------------------------------------------------------------------------------------------------------------------------------------------------------------------------------------------------------------------------------------------------------------------------------------------------------------------------------------------------------------------------------------------------------------------------------------------------------------------|
| Dimensions: | CMT10-40: L: 131 W: 133 x D: 29mm. Weight: 0.392kg. Max Projected Area: 0.0101m ² CMT20-40: L: 131 x W: 133 x D: 29mm. Weight: 0.392kg. Max Projected Area: 0.0101m ² CMT30-40: L: 174 x W: 171 x D: 31mm. Weight: 0.597kg. Max Projected Area: 0.0181m ² CMT50-40: L: 216 x W: 212 x D: 32mm. Weight: 0.846kg. Max Projected Area: 0.0284m ² CMT100-40/CMT100PC-40: L: 251 x W: 290 x D: 37mm. Weight: 1.445kg. Max Projected Area: 0.0459m ² CMT150-40/CMT150PC-40: L: 311 x W: 348 x D: 40mm. Weight: 2.12kg. Max Projected Area: 0.0683m ² CMT200-40/CMT200PC-40: L: 374 x W: 414 x D: 41mm. Weight: 3.09kg. Max Projected Area: 0.1014m ² CMT300-40/CMT300PC-40: L: 414 x W: 476 x D: 48mm. Weight: 4.36kg. Max Projected Area: 0.1376m ² |
| Material: | Body: Die-Cast Aluminium Lens: Tempered Glass |
| Working Temperature: | Standard: -30°C - 45°C |
| Guarantee: | 3 Years |



MAXIMUM FITTINGS PER CIRCUIT

| Automatic Circuit Breaker Type: | B6 | B10 | B13 | B16 | B20 | C10 | C13 | C16 | C20 |
|---------------------------------|-----|-----|-----|-----|-----|-----|-----|-----|-----|
| Rated Current: | 6A | 10A | 13A | 16A | 20A | 10A | 13A | 16A | 20A |
| Cable (mm): | 1.5 | 1.5 | 1.5 | 2.5 | 2.5 | 1.5 | 1.5 | 2.5 | 2.5 |
| CMT10-40 | 25 | 25 | 25 | 25 | 25 | 25 | 25 | 25 | 25 |
| CMT20-40 | 25 | 25 | 25 | 25 | 25 | 25 | 25 | 25 | 25 |
| CMT30-40 | 25 | 25 | 25 | 25 | 25 | 25 | 25 | 25 | 25 |
| CMT50-40 | 16 | 25 | 25 | 25 | 25 | 25 | 25 | 25 | 25 |
| CMT100-40/CMT100PC-40 | 8 | 13 | 17 | 21 | 25 | 16 | 21 | 25 | 25 |
| CMT150-40/CMT150PC-40 | 5 | 9 | 11 | 14 | 18 | 11 | 14 | 18 | 22 |
| CMT200-40/CMT200PC-40 | 4 | 6 | 8 | 10 | 13 | 8 | 11 | 13 | 16 |
| CMT300-40/CMT300PC-40 | 2 | 4 | 6 | 7 | 9 | 5 | 7 | 9 | 11 |

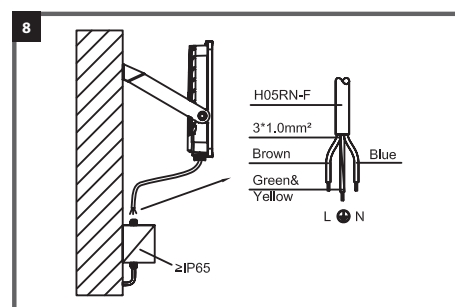
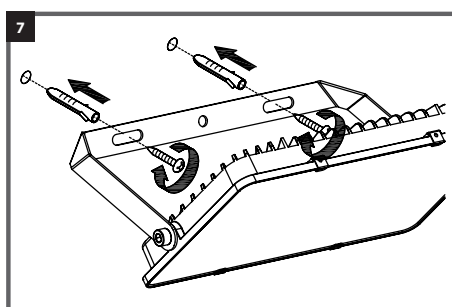
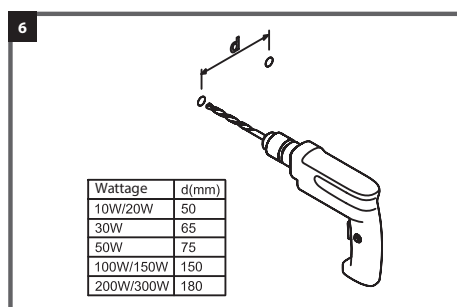
Installation Instructions

Note: This is a Class I Luminaire - Earth connection is required

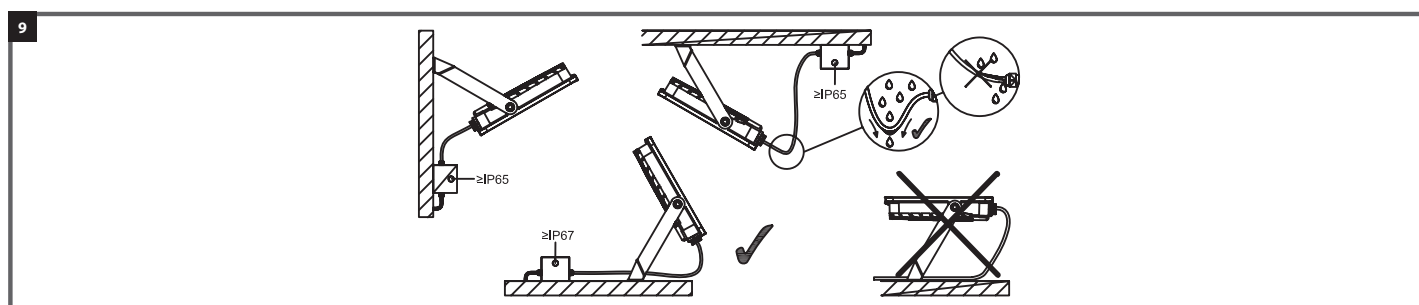
This is an IP65 rated product. Do not break or loosen any seals as this will affect the IP rating and will render the warranty void.

1. Isolate the mains supply before commencing the installation.
2. Ensure there is adequate free air circulation of at least 100mm around the luminaire. All luminaires run hot. It is the installer's responsibility to consider any fire risks and take appropriate precautions.
3. The nearest illuminated surface must be at least 0.5m from the front of the fitting.
4. Do not install or use if the glass is broken. Replace the luminaire. The pre-wired cable is not replaceable. If it is damaged, replace the luminaire.
5. Select a suitable, solid mounting surface and fixings that are capable of holding the weight of the luminaire. Maximum installation height is ≤ 5m.

6. Mark the fixing positions using the bracket as a template or use the dimension 'd' in the table shown. Drill holes to match suitable wall plugs/fixings.
7. Fit the bracket to the wall using suitable fixings. The base of the bracket is angled, permitting fixing without removing the bracket from the luminaire.
8. Connect the cable correctly to the supply using a suitable IP rated connector or junction box (not supplied), observing the colour-coding shown below. Ensure all electrical connections are tight with no loose strands:
 Live = Brown
 Earth = Green / Yellow
 Neutral = Blue



9. To adjust the floodlight aiming angle, loosen the screws holding the bracket to the body, adjust and re-tighten the screws when the desired angle is achieved. The fitting can be mounted in a number of orientations. See illustration for guidance.
10. Restore the mains power supply and check for correct operation.



Photocell Versions

11. Do not install in areas where the photocell lens could become dirty.
12. Do not allow any artificial light source to activate the photocell, as the fitting may turn off or on unexpectedly.
13. The photocell has the following factory setting for operation:
 Power ON: <20 lux ambient light
 Power OFF: >80 lux ambient light
 Standby/Time Delay: 15-18 seconds (this is a pre-set delay to prevent nuisance switching when ambient light reaches the ON/OFF thresholds above)
14. To test the photocell operation, fully cover the photocell with black opaque material to simulate darkness. The fitting will switch on after approx. 15-18 seconds. When the material is removed, the fitting will switch off after approx. 15-18 seconds if ambient light is above 80 lux.

Additional Information

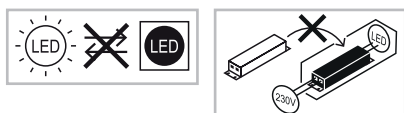
- Red Arrow will not take any responsibility for any product damage caused by mounting procedures which are not in accordance with these instructions.

Guarantee

This product is guaranteed for a period of 3 years from the date of purchase. The guarantee is invalid in the case of improper use, tampering, removal of the Q.C. date label, installation in an improper working environment or installation not according to the current edition of the I.E.E. Wiring Regulations (BS7671). The guarantee is also invalidated if the luminaire has been insulation tested. Should this product fail during the guarantee period it will be replaced free of charge, subject to correct installation and return of the faulty unit. We do not accept responsibility for any installation costs associated with the replacement of this product. Your statutory rights are not affected. We reserve the right to alter specifications without prior notice.

Maintenance

- This fitting will require routine cleaning if used in adverse (dust, paint, welding, oils etc) environments. Do not use solvents, aggressive detergents or abrasives.
- The light source & driver in this luminaire are not replaceable. When either reaches end of life, the whole luminaire must be replaced.



- The pre-wired supply cable on this luminaire is not replaceable. If the cable is damaged, the whole luminaire must be replaced
- When this fitting comes to the end of its life or you choose to replace it, please do not dispose of it with your normal waste. Please recycle where the facilities exist, check with your local authority for suitable options.

INS/OUTDOOR/0013/CMT/CMTPC/V2