

INSTALLATION INSTRUCTIONS

Sabre CCT & Sabre Pro Batten Fittings

Product Codes: **SB41-CCT, SB41E-CCT, SB42-CCT, SB42E-CCT, SB51-CCT, SB51E-CCT, SB52-CCT, SB52E-CCT, SB61-CCT, SB61E-CCT, SBP41-40, SBP41E-40, SBP42-40, SBP42E-40, SBP51-40, SBP51E-40, SBP52-40, SBP52E-40, SBP61-40, SBP61E-40**

Safety Warning



- The installation should be carried out by a qualified electrician in compliance with the current edition of the IEE Wiring Regulations.
- Prior to installation, carry out the necessary risk assessment considering the people who could be at risk, the level of risk and the precautions required to control the risk
- Ensure that the circuit supply is isolated either by the circuit supply fuse being removed or the applicable circuit breaker being turned off before installation or any maintenance.
- Check the total load on the circuit ensuring the luminaire does not exceed the rating of the circuit cable, fuse or circuit breaker.
- Long-term use and voltage fluctuations can reduce the life span of the fitting.
- If the fitting incorporates control gear, ensure careful sizing to avoid instances of nuisance tripping of the protective device used in the installation.
- Follow the provided installation instructions, using the fixings supplied or recommended.
- Keep out of reach of children.

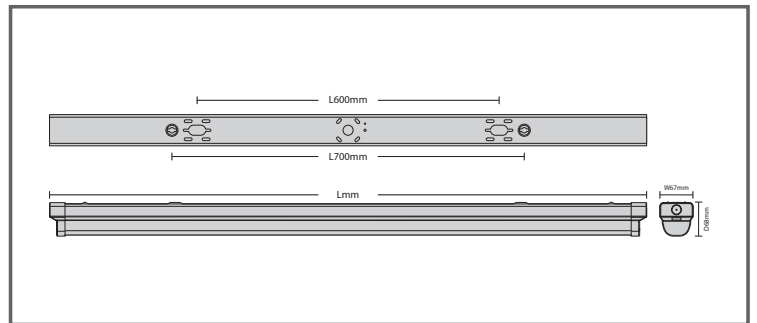


Specification

Box Contents -

1 x Sabre CCT / Sabre Pro Batten & Fixings

Dimensions:	SB4*/SBP4* - L: 1200 x W: 67 x D: 68mm SB5*/SBP5* - L: 1500 x W: 67 x D: 68mm SB6*/SBP6* - L: 1800 x W: 67 x D: 68mm
Material:	Powder Coated Steel Body and Polycarbonate Diffuser
Working Temperature:	Standard: -20°C - 45°C Emergency: 0°C - 45°C



Saber Pro Only

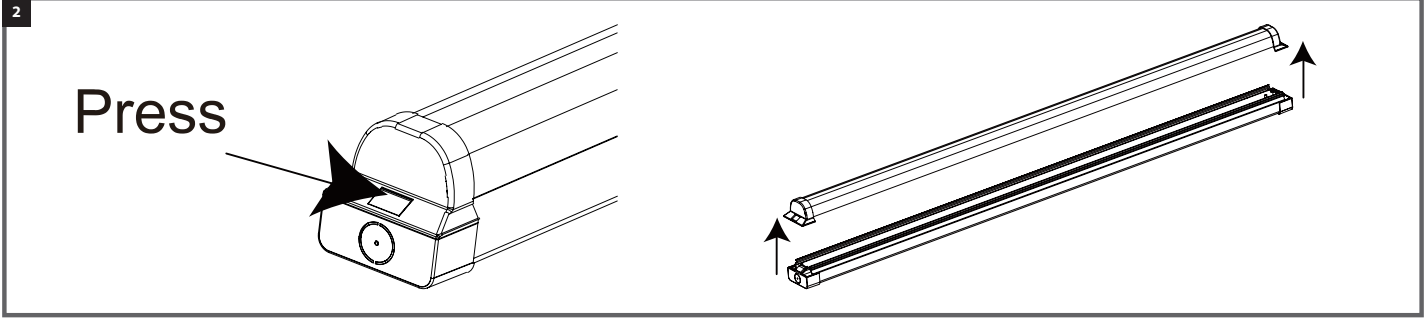
MAXIMUM FITTINGS PER CIRCUIT

Automatic Circuit Breaker Type:	B6	B10	B13	B16	B20	C10	C13	C16	C20
Rated Current:	6A	10A	13A	16A	20A	10A	13A	16A	20A
Cable (mm):	1.5	1.5	1.5	2.5	2.5	1.5	1.5	2.5	2.5
SB41-CCT	19	51	85	130	202	84	142	220	332
SB42-CCT	10	26	44	66	104	43	73	113	170
SB51-CCT	11	28	47	72	112	47	79	122	184
SB52-CCT	7	19	32	48	75	31	53	82	123
SB61-CCT	8	21	35	53	83	34	58	90	136
SB62-CCT	5	14	23	35	55	23	39	60	91
SBP41-40	17	45	63	76	132	74	105	130	217
SBP41E-40	10	26	39	48	83	43	66	82	137
SBP42-40	9	24	36	43	75	39	59	74	123
SBP42E-40	7	17	26	31	55	28	43	54	90
SBP51-40	10	25	38	46	80	42	63	78	131
SBP51E-40	7	18	27	33	57	30	45	56	94
SBP52-40	6	17	26	31	54	28	43	53	89
SBP52E-40	5	13	20	25	43	22	34	42	70
SBP61-40	7	19	28	34	59	31	46	58	96
SBP61E-40	5	14	22	26	45	24	36	45	75
SBP62-40	5	13	19	23	40	21	32	39	66
SBP62E-40	4	10	15	19	32	17	25	32	53

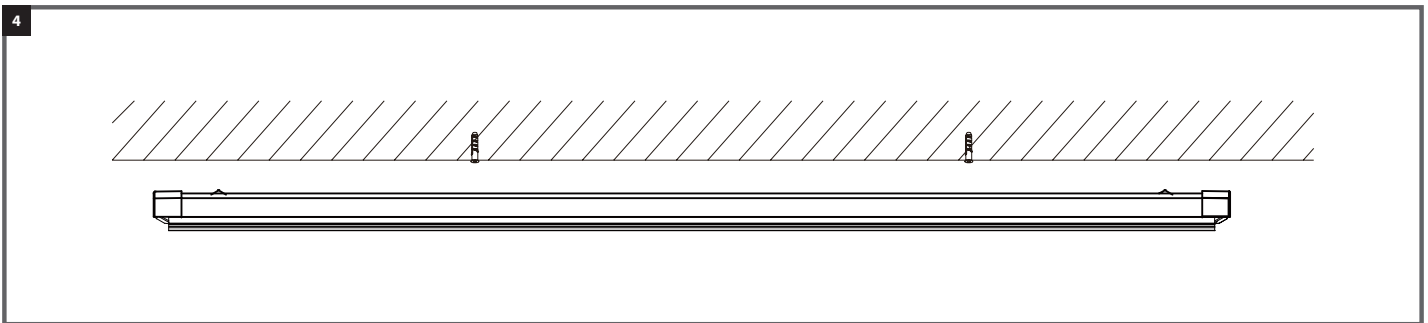
Installation Instructions

Note: This is a Class I Luminaire - Earth connection is required

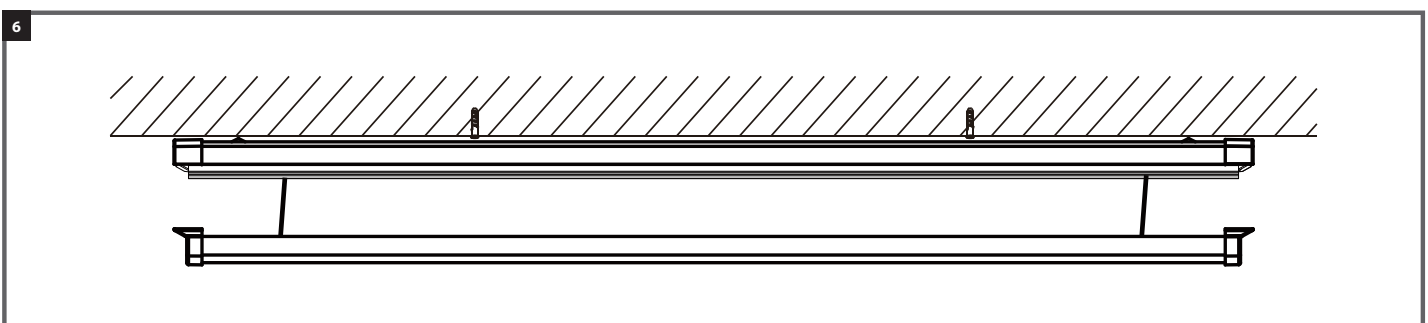
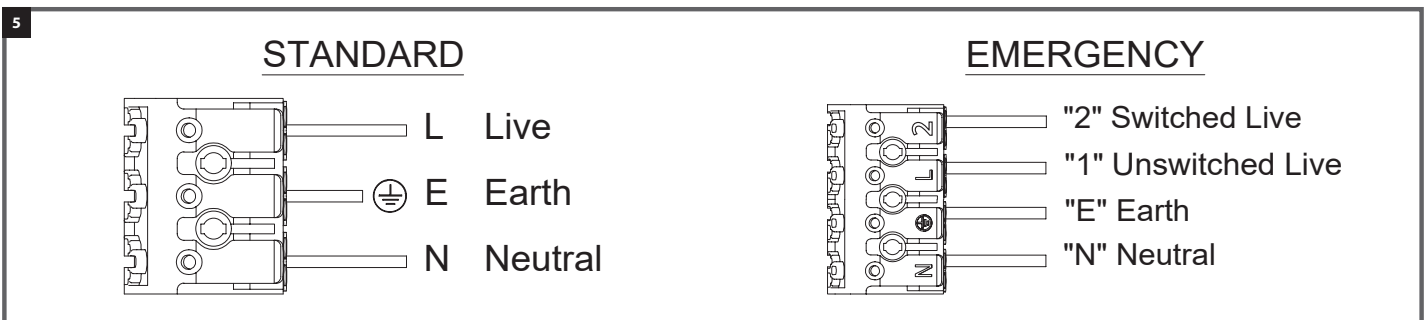
1. Isolate the mains supply before commencing with the installation.
2. Remove the diffuser module from the base. Press the release button at each end of the fitting and pull by module to remove. Unclip the safety cords and unplug the DC power cable to the module.



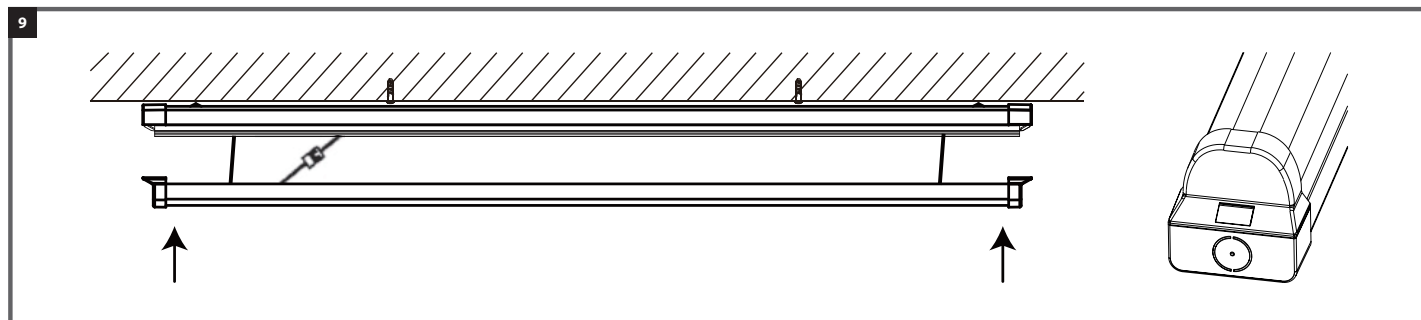
3. The fitting can be mounted using the BESA box entries on 600mm centres or can be fixed to the mounting surface using the key hole slots on 700mm centres. The fitting can also be wire or chain suspended using the various fixing locations on the back of the housing.
4.
 - A. Feed the mains cable through one of the entries on the back of the housing, or through a drill out conduit entry located on each end cap. Use a suitable grommet to protect the cable.
 - B. Hold the fitting up to the ceiling / wall in the desired position and mark hole fixing centres.
 - C. Drill fixing holes and use suitable wall plugs.
 - D. Fix in position with fixings supplied.



5. Route the mains supply cable to the terminal block on the body and terminate, ensuring correct polarity is observed. Ensure all conductors are fully sleeved and insulated.
6. Refit the safety cords from the module to the body and securely reconnect the DC power cable.



7. **Sabre CCT only** - This luminaire has selectable LED colour appearance (CCT). Select the desired CCT using the dip switch, located on top of the module at one end.
8. **Emergency versions only** – connect the battery lead to the emergency converter module.
9. Refit the diffuser module to the base. Ensure all safety cords and DC power cables are tucked safely inside the housing so that they are not trapped between module and base, then push the module into position, until the release buttons at each end click back into their 'closed' position.
10. Restore the mains power supply, switch on and test for satisfactory operation.



Emergency Versions

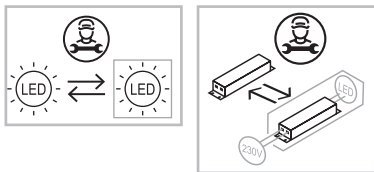
These luminaires require a secondary unswitched live supply as well as a switched supply. See 5 above. When the power supply is reconnected, check the green LED illuminates. This indicates the batteries are charging. The batteries should be charged for at least 24 hours before carrying out a full discharge test, to check batteries are charging correctly and 3 hour emergency duration is achieved.

Guarantee

This product is guaranteed for a period of 5 years (7 years for Sabre Pro) from the date of purchase. The guarantee is invalid in the case of improper use, tampering, removal of the Q.C. date label, installation in an improper working environment or installation not according to the current edition of the I.E.E. Wiring Regulations (BS7671). The guarantee is also invalidated if the luminaire has been insulation tested. Should this product fail during the guarantee period it will be replaced free of charge, subject to correct installation and return of the faulty unit. We do not accept responsibility for any installation costs associated with the replacement of this product. Your statutory rights are not affected. We reserve the right to alter specifications without prior notice.

Maintenance

- This fitting will require routine cleaning if used in adverse (dust, paint, welding, oils etc) environments. Do not use solvents, aggressive detergents or abrasives.
- The light source and driver in this luminaire can be quickly and easily replaced at end of life. This should be carried out by a competent person. Contact Red Arrow for details of replacements.



- When this fitting comes to the end of its life or you choose to replace it, please do not dispose of it with your normal household waste. Please recycle where the facilities exist, check with your local authority for suitable options.

INS/SITE/0020/SB/V2