

Orbit CCT Selectable Slim Recessed Circular Downlights

Product Codes: **ORB6-CCT, ORB12-CCT, ORB15-CCT, ORB18-CCT, ORB20-CCT**

Safety Warning



- The installation should be carried out by a qualified electrician in compliance with the current edition of the IEE Wiring Regulations.
- Prior to installation, carry out the necessary risk assessment considering the people who could be at risk, the level of risk and the precautions required to control the risk.
- Ensure that the circuit supply is isolated either by the circuit supply fuse being removed or the applicable circuit breaker being turned off before installation or any maintenance.
- Check the total load on the circuit ensuring the luminaire does not exceed the rating of the circuit cable, fuse or circuit breaker.
- Long-term use and voltage fluctuations can reduce the life span of the fitting.
- If the fitting incorporates control gear, ensure careful sizing to avoid instances of nuisance tripping of the protective device used in the installation.
- Follow the provided installation instructions, using the fixings supplied or recommended.
- Keep out of reach of children.

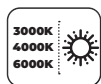
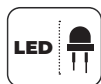
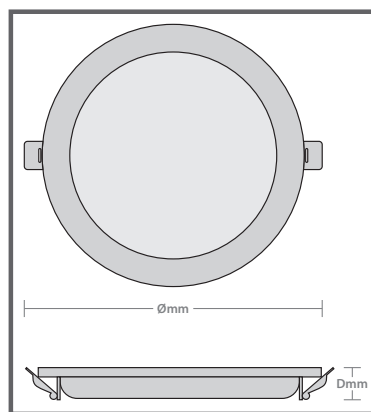


Specification

Box Contents -

1 x Orbit CCT Slim Recessed Circular Downlight
1 x LED Driver

Dimensions:	6W: Ø: 120 x D: 15mm (25mm Including Driver) 12W: Ø: 170 x D: 15mm (25mm Including Driver) 15W: Ø: 170 x D: 15mm (30mm Including Driver) 18W: Ø: 220 x D: 15mm (30mm Including Driver) 20W: Ø: 220 x D: 15mm (30mm Including Driver)
Cut Out Dimensions:	6W: Ø: 100mm 12W: Ø: 155mm 15W: Ø: 155mm 18W: Ø: 200mm 20W: Ø: 200mm
Material:	Diffuser: Polycarbonate Body: Aluminium
Working Temperature:	Standard: -10°C - 50°C
Included:	LED Driver

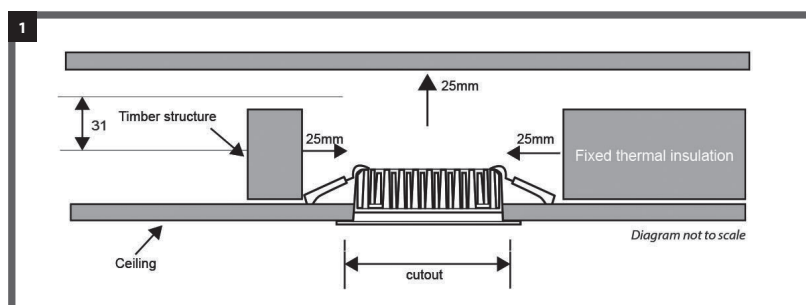


MAXIMUM FITTINGS PER CIRCUIT

Automatic Circuit Breaker Type:	B6	B10	B13	B16	B20	C10	C13	C16	C20
Rated Current:	6A	10A	13A	16A	20A	10A	13A	16A	20A
Cable (mm):	1.5	1.5	2.5	2.5	4	1.5	2.5	2.5	4
ORB6-CCT	150	250	325	400	500	250	325	400	500
ORB12-CCT	75	125	160	200	250	125	160	200	250
ORB15-CCT	60	100	130	160	200	100	130	160	200
ORB18-CCT	50	80	105	130	165	80	105	130	165
ORB20-CCT	45	75	95	120	150	75	95	120	150

Installation Instructions

- It is recommended that an air gap of approximately 25mm is maintained around the fitting to ensure the maximum lifespan of the fitting.



2. Ensure the mains supply is switched off before commencing any work.
3. Select the suitable location(s) for the downlight(s)
4. Mark the appropriate cut-out positions on the ceiling. Check the locations of any cables, pipes, or other building services before drilling / cutting the ceiling. Note the cut-out dimensions for your fitting on the previous page and complete the ceiling preparation. It is advisable to double check these.
5. Safely connect the input cable of the LED driver to the supply cable.
6. Select the desired colour temperature on the driver with the switch.
7. Connect the LED downlight to the LED driver using the male / female connector.
8. Test the circuit electrically and ensure all fittings are working correctly.
9. 9. Squeeze the springs upwards, insert the downlight into the ceiling cut-out and release the springs.
10. Switch the power back on. Note: do not reconnect power until all connections have been made. Hot plug in can damage the LEDs and will void any warranty.

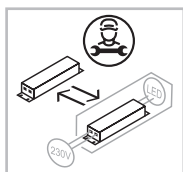
These luminaries can be paired with our plug and play self test (TITANX/4/KIT/ST/ORBIT) or manual test (TITANX/4/KIT/ORBIT) Emergency Kit's (Available to purchased separately)

Guarantee

This product is guaranteed for a period of 3 years from the date of purchase. The guarantee is invalid in the case of improper use, tampering, removal of the Q.C. date label, installation in an improper working environment or installation not according to the current edition of the I.E.E. Wiring Regulations (BS7671). The guarantee is also invalidated if the luminaire has been insulation tested. Should this product fail during the guarantee period it will be replaced free of charge, subject to correct installation and return of the faulty unit. We do not accept responsibility for any installation costs associated with the replacement of this product. Your statutory rights are not affected. We reserve the right to alter specifications without prior notice.

Maintenance

- This fitting will require routine cleaning if used in adverse (dust, paint, welding, oils etc) environments. Do not use solvents, aggressive detergents or abrasives.
- The driver in this luminaire can be quickly and easily replaced at end of life. This should be carried out by a competent person. Contact Red Arrow for details of replacements.
- The light source in this luminaire is not replaceable. When this fitting comes to the end of its life or you choose to replace it, please do not dispose of it with your normal waste. Please recycle where the facilities exist, check with your local authority for suitable options.



INS/DOWNLIGHTS/0011/ORB-CCT/V1