

Mini Wilson Slim Plug & Play Bulkhead

Product Codes: **MWL18-CCT**

Safety Warning



- The installation should be carried out by a qualified electrician in compliance with the current edition of the IEE Wiring Regulations.
- Prior to installation, carry out the necessary risk assessment considering the people who could be at risk, the level of risk and the precautions required to control the risk
- Ensure that the circuit supply is isolated either by the circuit supply fuse being removed or the applicable circuit breaker being turned off before installation or any maintenance.
- Check the total load on the circuit ensuring the luminaire does not exceed the rating of the circuit cable, fuse or circuit breaker.
- Long-term use and voltage fluctuations can reduce the life span of the fitting.
- If the fitting incorporates control gear, ensure careful sizing to avoid instances of nuisance tripping of the protective device used in the installation.
- Follow the provided installation instructions, using the fixings supplied or recommended.
- Keep out of reach of children.

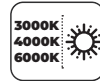
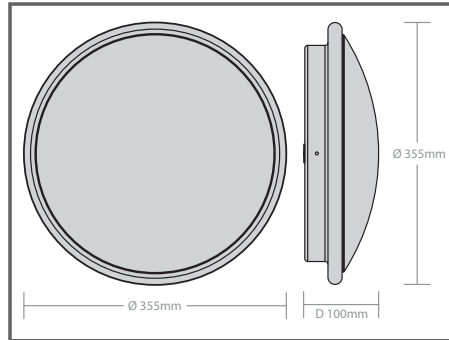


Specification

Box Contents -

1 x Mini Wilson Bulkhead
1 x Bag of Fixings

Dimensions:	Ø: 356 x D: 100mm
Material:	Steel body & polycarbonate diffuser
Working Temperature:	Standard: -20°C - 40°C
Included:	Bag of Fixings

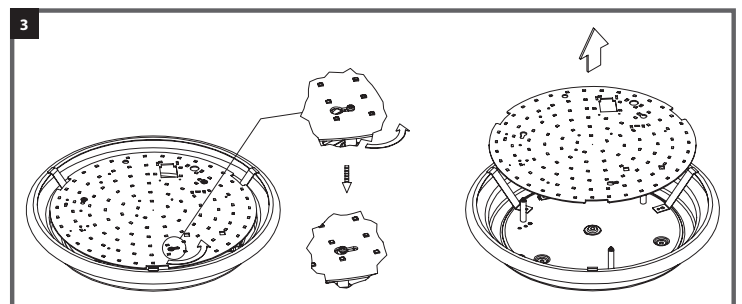
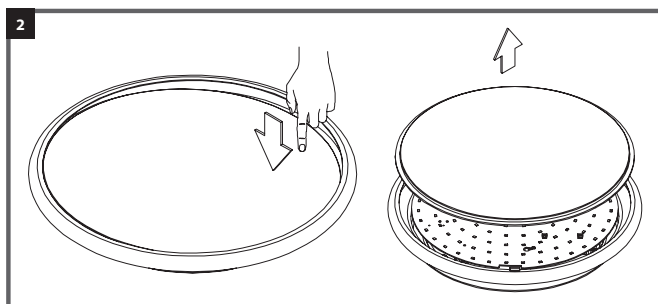


MAXIMUM FITTINGS PER CIRCUIT

Automatic Circuit Breaker Type:	B6	B10	B13	B16	B20	C10	C13	C16	C20
Rated Current:	6A	10A	13A	16A	20A	10A	13A	16A	20A
Cable (mm):	1.5	1.5	1.5	2.5	2.5	1.5	1.5	2.5	2.5
MWL18-CCT	32	54	70	87	108	62	82	100	127

Installation Instructions

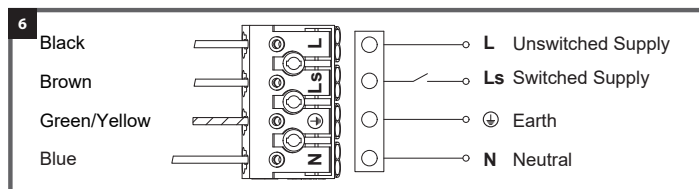
- Isolate the mains supply before commencing with the installation.
- Remove the diffuser from the base. Press the diffuser in, against the spring clips. Slide the diffuser to one side until one edge is visible. Pull visible edge out of the body to remove diffuser.
- Loosen, but do not remove, the 3 gear tray retaining screws, rotate the gear tray to align the screw heads with the large aperture of the keyhole slots and remove the gear tray away from the base.



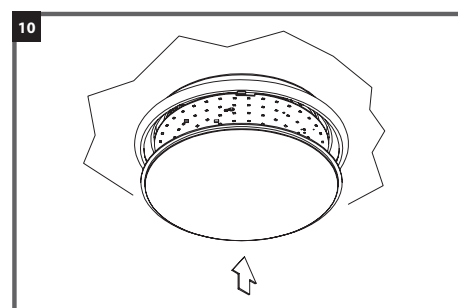
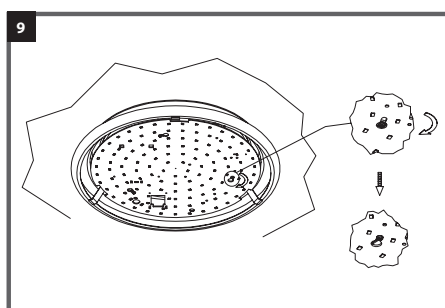
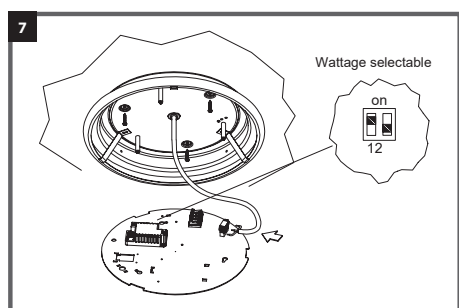
4. Cable / Conduit entry is possible from the rear or side. Side access will require the hole to be drilled (indentations are at 90degree increments). A cable entry point is provided in the rear via a rubber grommet, this should be pierced to pass a cable through.
5.
 - A. Feed the mains cable through the grommet or conduit.
 - B. Hold the fitting up to the ceiling / wall in the desired position and mark hole fixing centres.
 - C. Drill fixing holes.
 - D. Insert rawl plugs.
 - E. Fix in position with fixings supplied.
6. Ensure the luminaire has a switched live supply to "Ls" (switched live). Route the mains supply cable to the terminal block on the gear tray and terminate, ensuring correct polarity is observed. Ensure all conductors are fully sleeved and insulated.

Note: If converting to Emergency with the EM Kit (Supplied separate) the luminaire will require a secondary unswitched live supply "L" as well as a switched supply. The unswitched supply "L" must be taken from the same phase as the "switched" supply and must be wired to the same MCB so that upon test, it is isolated at the same time as the switched supply.

N.B These luminaires must be earthed



7. Select the desired wattage using the dip switches on the driver.
8. If using the emergency or microwave sensor plug and play kits (supplied separate) it is suggest to install these onto the geartray at this point. (Instructions are provided with the kits)
9. Refit the geartray and secure into position, ensuring no cables are trapped before tightening the screws. Select the colour temperature on the front of the geartray.



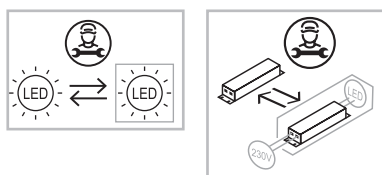
10. Refit the diffuser, Restore the mains power supply, switch on and test for satisfactory operation

Warranty

This product is guaranteed for a period of 5 years from the date of purchase. The warranty is invalid in the case of improper use, tampering, removal of the Q.C. date label, installation in an improper working environment or installation not according to the current edition of the I.E.E. Wiring Regulations (BS7671). The warranty is also invalidated if the luminaire has been insulation tested. Should this product fail during the warranty period it will be replaced free of charge, subject to correct installation and return of the faulty unit. We do not accept responsibility for any installation costs associated with the replacement of this product. Your statutory rights are not affected. We reserve the right to alter specifications without prior notice.

Maintenance

- This fitting will require routine cleaning if used in adverse (dust, paint, welding, oils etc) environments. Do not use solvents, aggressive detergents or abrasives.
- The light source & driver in this luminaire can be quickly and easily replaced at end of life. This should be carried out by a competent person. Contact Red Arrow for details of replacements.



- When this fitting comes to the end of it's life or you choose to replace it, please do not dispose of it with your normal waste. Please recycle where the facilities exist, check with your local authority for suitable options.

INS/BLK/0008/MWL18/V3