

Optimum Back Lit Panels

Product Codes: **OPT66-2836-40**

Safety Warning



- The installation should be carried out by a qualified electrician in compliance with the current edition of the IEE Wiring Regulations.
- Prior to installation, carry out the necessary risk assessment considering the people who could be at risk, the level of risk and the precautions required to control the risk
- Ensure that the circuit supply is isolated either by the circuit supply fuse being removed or the applicable circuit breaker being turned off before installation or any maintenance.
- Check the total load on the circuit ensuring the luminaire does not exceed the rating of the circuit cable, fuse or circuit breaker.
- Long-term use and voltage fluctuations can reduce the life span of the fitting.
- If the fitting incorporates control gear, ensure careful sizing to avoid instances of nuisance tripping of the protective device used in the installation.
- Follow the provided installation instructions, using the fixings supplied or recommended.
- Keep out of reach of children.

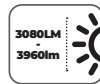
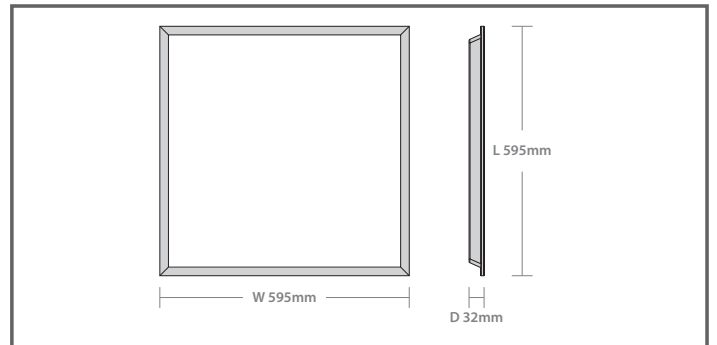


Specification

Box Contents -

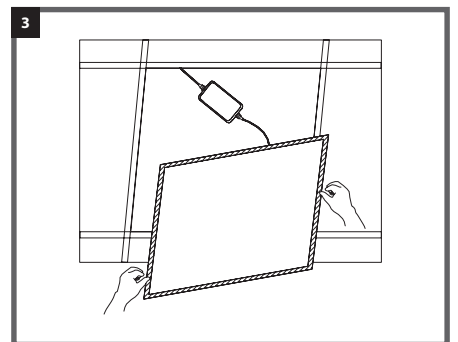
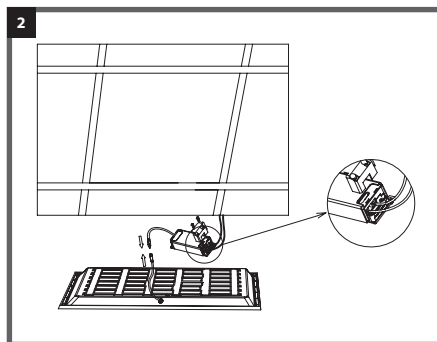
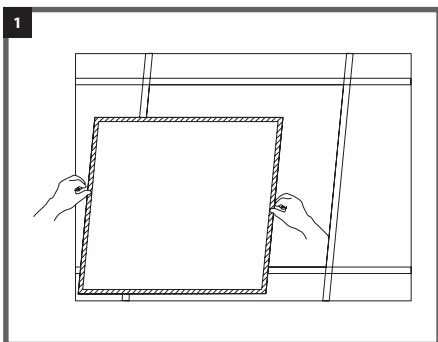
1 x Optimum LED Panel & Driver

Dimensions:	L: 595 x W: 595 x D: 32mm
Material:	Body - Steel Frame - Aluminium Diffuser - TP(a) UGR19
Working Temperature:	Standard: -10°C to 40°C

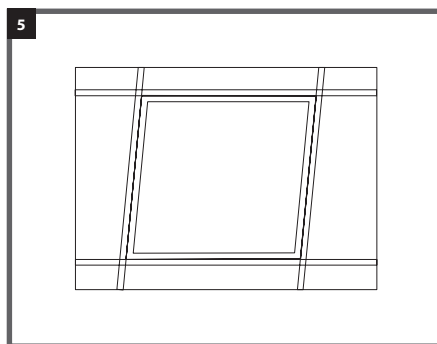
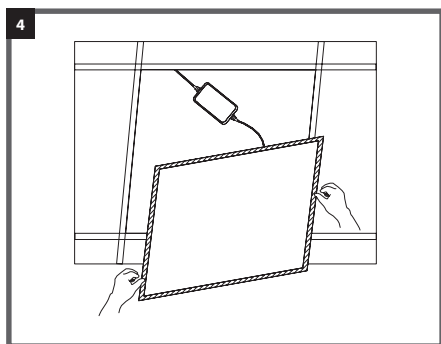


Installation Instructions

1. Ensure the mains supply is switched off before commencing any work. Remove the ceiling tile or existing light fitting from the ceiling.
2. Connect wires from the mains supply to the LED Driver. (Note: Brown = L, Blue = N). Terminate the Earth from the supply safely.
3. Connect the LED Panel to the LED Driver with the male / female connectors provided.



4. It is recommended that the LED Driver is placed on a ceiling tile next to the void.
5. Now fit the LED Panel into the ceiling grid and let it rest in position.



6. Do not cover the LED Panel or driver with insulation - allow a space of 100mm around the Panel and driver for free air movement.
7. Do not use the LED Driver supplied to power any other fitting or device other than the LED Panel supplied.
8. Reconnect the mains supply.

Note: Ensure the electrical circuit is switched off before making any adjustments to wattage settings. Failure to do so may result in damage to the LED module.

Note: Hot plug-in of the panel and LED driver is not permitted. The LEDs may be damaged due to high current and the warranty will be invalidated. The mains power must be isolated and wait for 30 seconds before connecting the panel to the driver.

Emergency Operation

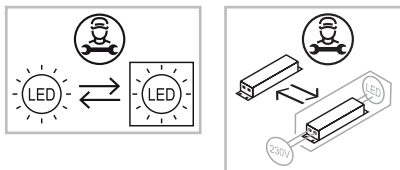
If using TITANX/4/KIT please ensure this is connected in line using the white locking plugs from the panel, refer to TITANX/4/KIT for exact details.

Warranty

This product is covered by a 5 year warranty from the date of purchase. The warranty is invalid in the case of improper use, tampering, removal of the Q.C. date label, installation in an improper working environment or installation not according to the current edition of the I.E.E. Wiring Regulations (BS7671). The warranty is also invalidated if the luminaire has been insulation tested. Should this product fail during the warranty period it will be replaced free of charge, subject to correct installation and return of the faulty unit. We do not accept responsibility for any installation costs associated with the replacement of this product. Your statutory rights are not affected. We reserve the right to alter specifications without prior notice.

Maintenance

- This fitting will require routine cleaning if used in adverse (dust, paint, welding, oils etc) environments. Do not use solvents, aggressive detergents or abrasives.
- The driver in this luminaire can be quickly and easily replaced. This should be carried out by a competent person. Contact Red Arrow for details of replacements.



- When this fitting comes to the end of its life or you choose to replace it, please do not dispose of it with your normal waste. Please recycle where the facilities exist, check with your local authority for suitable options.

INS/LED/0002/OPT/V1