

INSTALLATION INSTRUCTIONS

STELLAR UGR 4CCT FIRE RATED DOWNLIGHT

Product Code: **SR/UGR/W**

Safety Warning



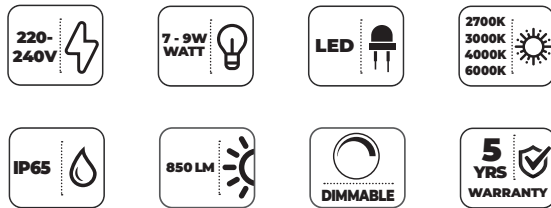
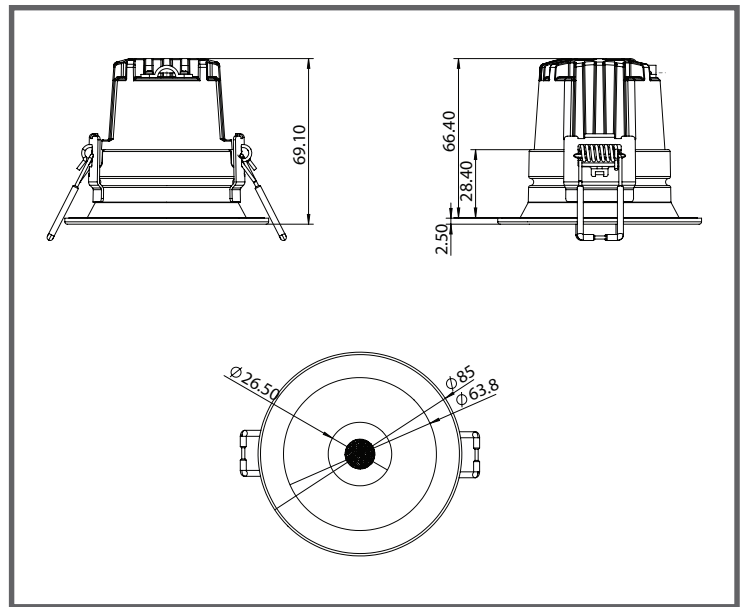
- The installation should be carried out by a qualified electrician in compliance with the current edition of the IEE Wiring Regulations.
- Prior to installation, carry out the necessary risk assessment considering the people who could be at risk, the level of risk and the precautions required to control the risk
- Ensure that the circuit supply is isolated either by the circuit supply fuse being removed or the applicable circuit breaker being turned off before installation or any maintenance.
- Check the total load on the circuit ensuring the luminaire does not exceed the rating of the circuit cable, fuse or circuit breaker.
- Long-term use and voltage fluctuations can reduce the life span of the fitting.
- If the fitting incorporates control gear, ensure careful sizing to avoid instances of nuisance tripping of the protective device used in the installation.
- Follow the provided installation instructions, using the fixings supplied or recommended.
- Keep out of reach of children.



Specification

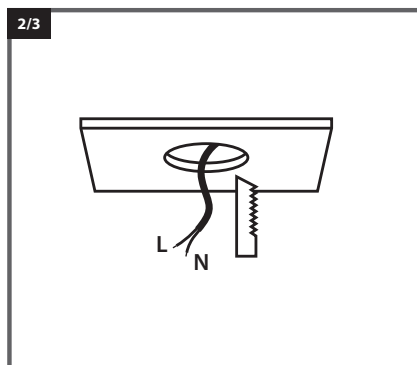
Box Contents -
STELLAR 4CCT FIRE RATED DOWNLIGHT

| | |
|-----------------------------|---|
| Dimensions: | Fixed: Ø: 86 x D: 70 mm |
| Material: | Housing: Steel Bezel & Lens: Polycarbonate |
| Working Temperature: | -20°C to 45°C |
| Included: | White bezel |

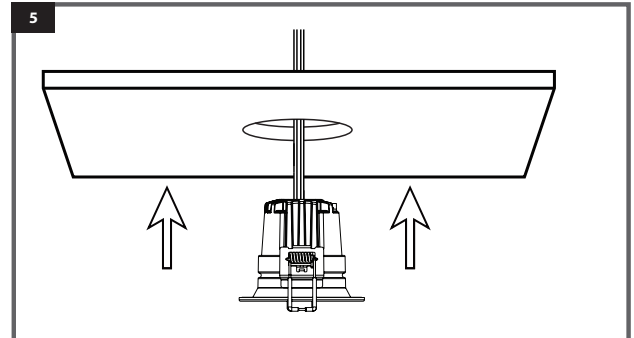
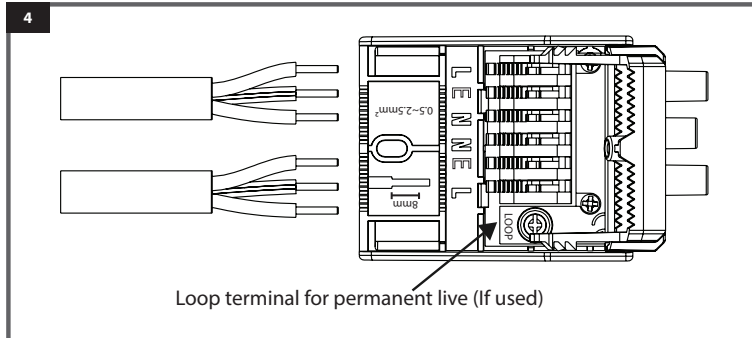


Installation Instructions

1. Ensure the downlight will fit into the ceiling void, avoiding obstructions such as joists or services.
2. Cut out the correct diameter hole in the required location. Note - the fitting is suitable to be covered with insulating material.
3. Feed the power supply cable through the hole.



1. Unplug the first fix connector box from the downlight, lift the hinged cover/strain relief and connector the supply cable(s) to the speed terminals, observing correct polarity. If a permanent line/emergency lighting circuit is used this can be terminated and looped into the Loop terminal. Check all connections are correctly terminated and then close the cover/strain relief clamp to retain the cable(s).
2. Plug first fix connector box and the downlight connector/ driver securely together. Pass the supply cable and driver through the ceiling aperture. Push up the spring clips and offer up the downlight into the ceiling until it sits flush and in positions.
3. To change the colour appearance (CCT) of the LEDs (CCT switches are on the LED driver)
4. To change the wattage (W) on the SR/W (Wattage switches are on the driver)
5. Restore the power supply and check for correct operation.
6. To remove bezel pull down on outer edge until you hear the click.



Replacement Bezels

- The downlight is supplied with a matte white bezel trim as standard. This can be changed to other colour finish bezels, ordered separately.
- To remove and replace the bezel, follow steps 6.
- A wide range of bezel colour finishes are available. Finish bezels are also available to fit this downlight.
- For full details and up to date list visit redarrowelectrical.co.uk or contact Red Arrow Sales

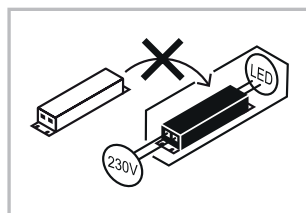
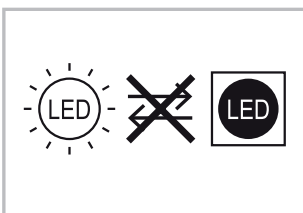
Warranty

This product is covered by a 3 year warranty from the date of purchase. The warranty is invalid in the case of improper use, tampering, removal of the Q.C. date label, installation in an improper working environment or installation not according to the current edition of the I.E.E. Wiring Regulations (BS7671). The warranty is also invalidated if the luminaire has been insulation tested. Should this product fail during the warranty period it will be replaced free of charge, subject to correct installation and return of the faulty unit. We do not accept responsibility for any installation costs associated with the replacement of this product. Your statutory rights are not affected. We reserve the right to alter specifications without prior notice.

Maintenance

This fitting will require routine cleaning if used in adverse (dust, paint, welding, oils etc) environments. Do not use solvents, aggressive detergents or abrasives.

The LEDs and Driver in this product are non-replaceable at the end of life. When either the driver or LEDs reaches end of life, the whole luminaire should be replaced.



When this fitting comes to the end of its life or you choose to replace it, please do not dispose of it with your normal waste. Please recycle where the facilities exist, check with your local authority for suitable options.

INS/DOWNLIGHTS/0007/SR/V7